

A

B

C

D

REVISIONS

ZONE	REV.	DESCRIPTION	DATE	APPD.
1	01	Diameter Decreased	03.05.05	Manoj.

1

2

3

4

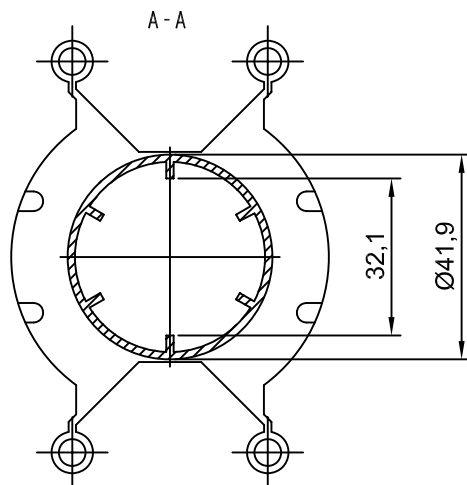
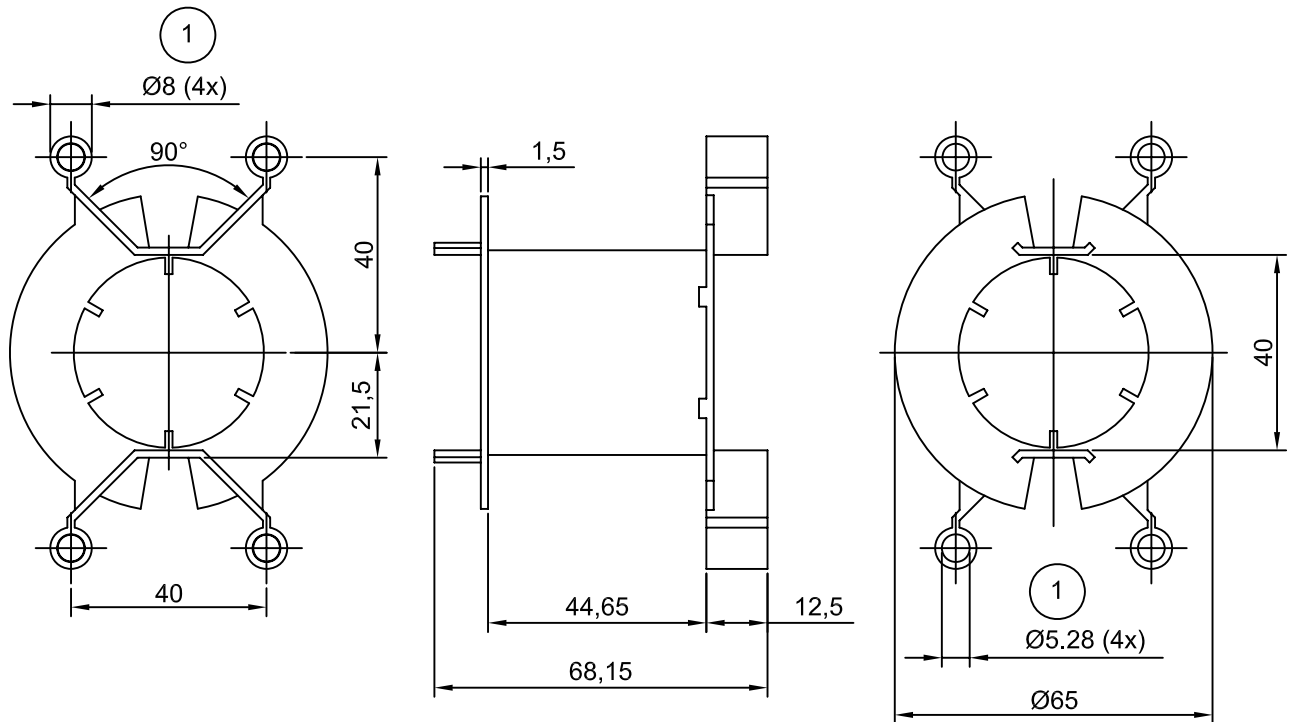
5

6

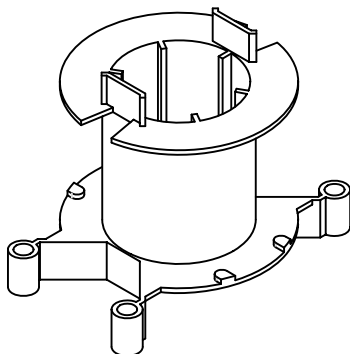
7

8

9



Material - Rynite FR 530L BK
UL no. - E41938



NOTE:

- (1) All dimensions are in mm.
- (2) Do not scale the drawing.
- (3) Tolerance for all dimension is (± 0.2)
- (4) Molding Material:
(a) Rynite FR530L BK
UL no.: E41938

COMPONENT NAME: BOBBIN

PART NO: CFPM 8770

	NAME	SIGN.	DATE	REMARKS:	REV.
DESIGN BY	SACHIDANAND	<i>Sachidanand</i>	28.04.05		01
CHECKED BY	MANOJ GUPTA		28.04.05		
APPR. BY	MANOJ GUPTA		28.04.05	SCALE: NTS	DRG.NO: DEI/DRG/CO02
				PATH	

D:\DURGA\COSMO\BOBBIN for CFPM 8770