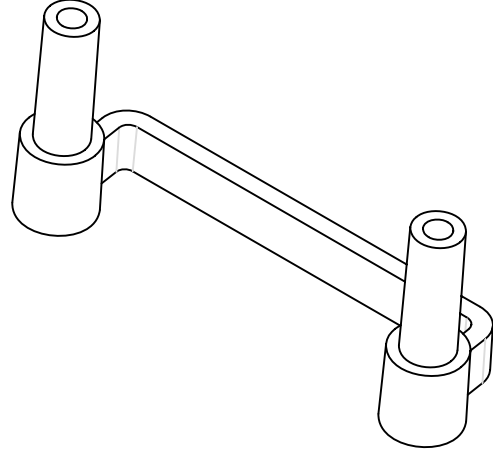
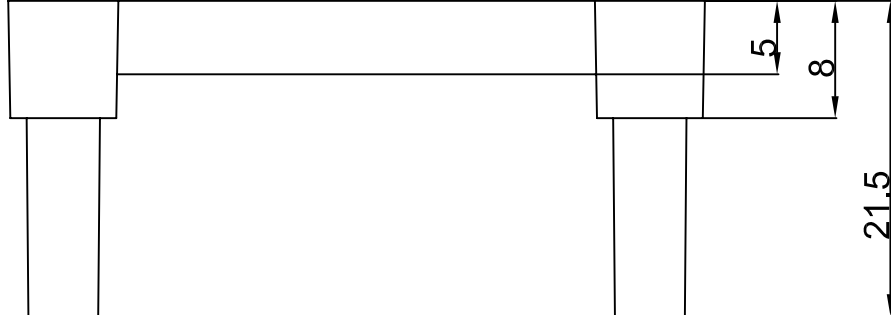
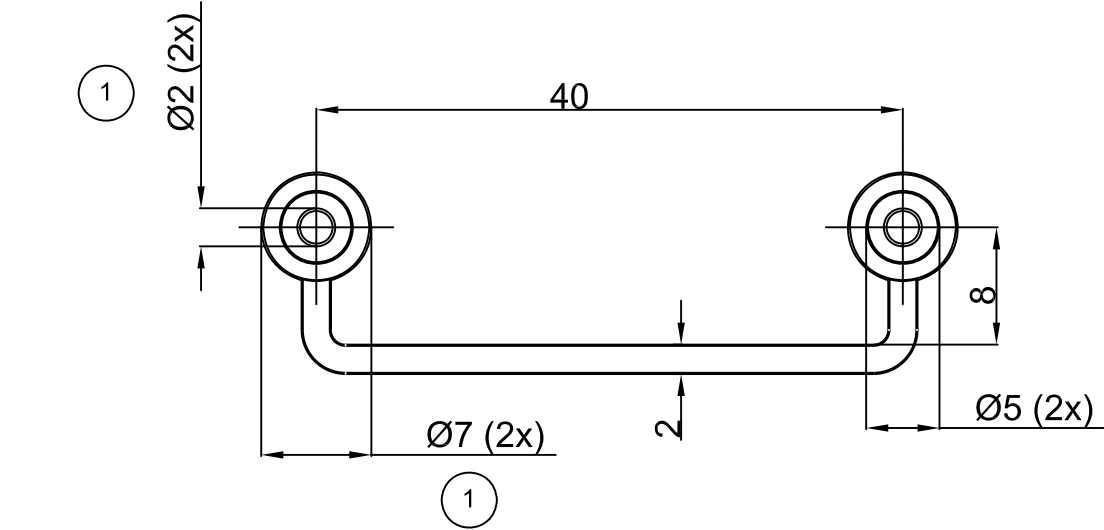


A B C D

REVISIONS				
ZONE	REV.	DESCRIPTION	DATE	APPD.
1	01	Diameter Decreased	03.05.05	Manoj.

1
2
3
4
5
6
7
8
9



Material - Zytel 101L BK
(UL94V2)

NOTE:
 (1) All dimensions are in mm.
 (2) Do not scale the drawing.
 (3) Tolerance for all dimension is (±0.2)
 (4) Molding Material:
 (a) Zytel 101L BK (UL94V2)

 DURGA ELECTRONICS (INDIA)

COMPONENT NAME: CLAMP

PART NO: CFPM 8770

	NAME	SIGN.	DATE
DESIGN BY	SACHIDANAND	<i>Sachidanand</i>	28.04.05
CHECKED BY	MANOJ GUPTA		28.04.05
APPR. BY	MANOJ GUPTA		28.04.05

REMARKS:	REV.
	01

SCALE: NTS DRG.NO: DEI/DRG/CO01 PATH