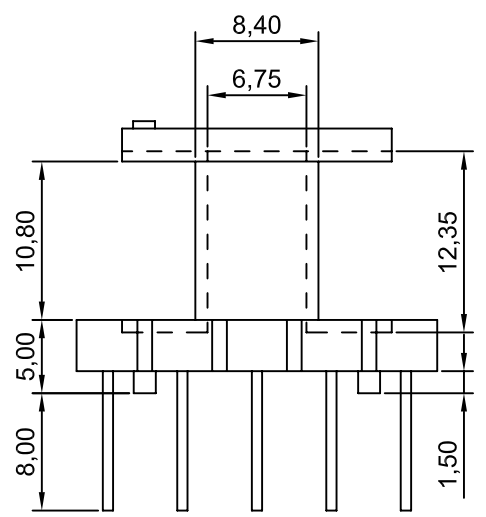
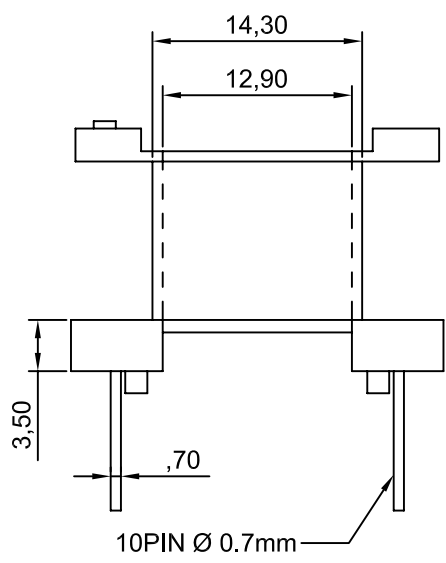


REVISIONS				
ZONE	REV.	DESCRIPTION	DATE	APPD.

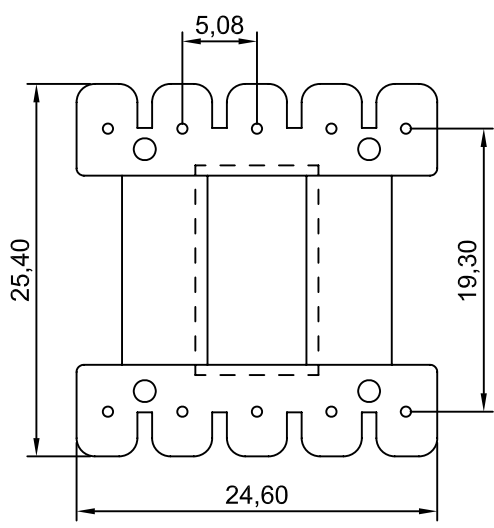
1
2
3
4
5
6
7
8
9



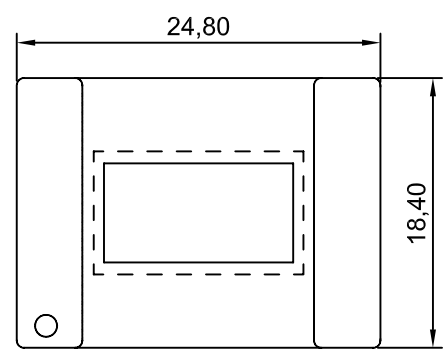
FRONT VIEW



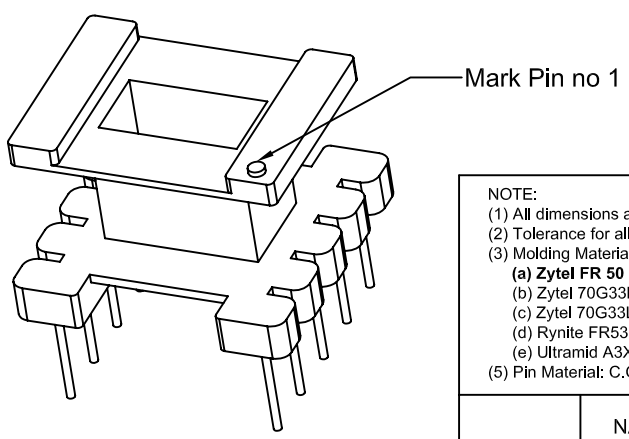
R.H.SIDE VIEW




BOTTOM VIEW



TOP VIEW



NOTE:
 (1) All dimensions are in mm.
 (2) Tolerance for all dimension is (±0.2)
 (3) Molding Material:
 (a) Zytel FR 50 BK 153J - UL & RoHS
 (b) Zytel 70G33L BK 031 - Non UL.
 (c) Zytel 70G33L NC 010 - Non UL
 (d) Rynite FR530L BK507 - UL & RoHS
 (e) Ultramid A3X2G5 - UL & RoHS
 (5) Pin Material: C.C.S Wire with Tin (Su) Plated

 DURGA ELECTRONICS (INDIA)

COMPONENT NAME: **BOBBIN**

PART NO: **L 109 VERTICAL 10 PIN**

	NAME	SIGN.	DATE	REMARKS:	REV.
DESIGN BY	SACHIDANAND	<i>Sachidanand</i>	21.06.05		00
CHECKED BY	MANOJ GUPTA		21.06.05		
APPR. BY	MANOJ GUPTA		21.06.05	SCALE: NTS	
				DRG.NO: DEI/DRG/L026	PATH ↓