

A

B

C

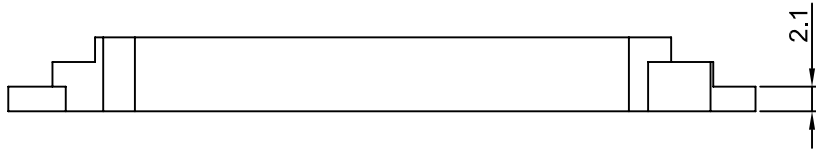
D

REVISIONS

ZONE	REV.	DESCRIPTION	DATE	APPD.
1	01	Diameter Decreased	03.05.05	Manoj.

1

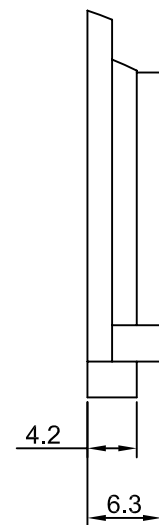
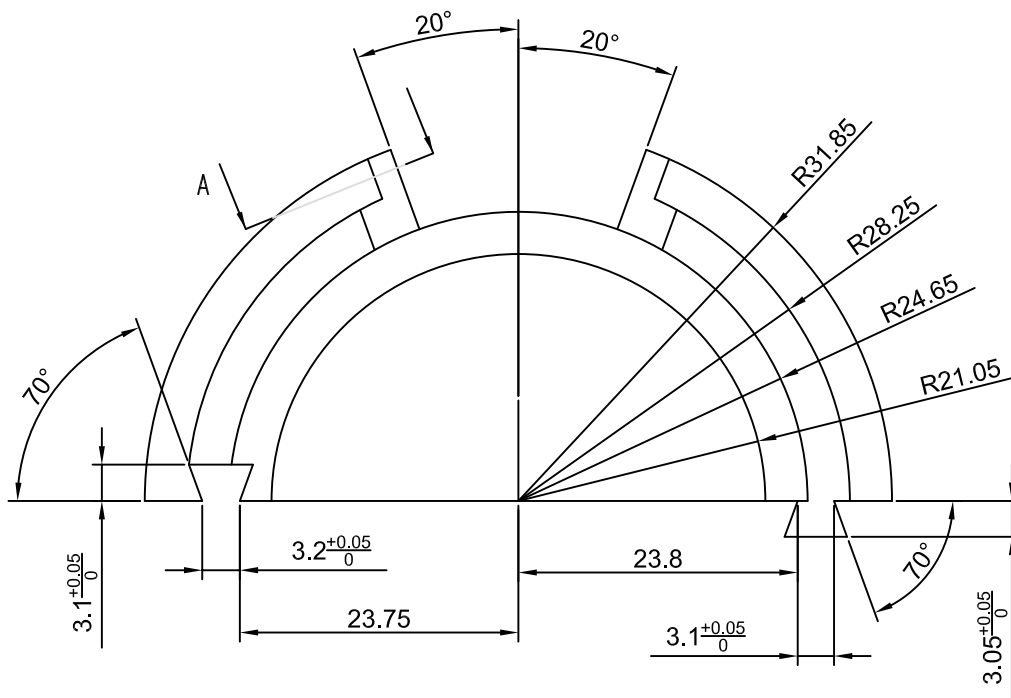
2



3

4

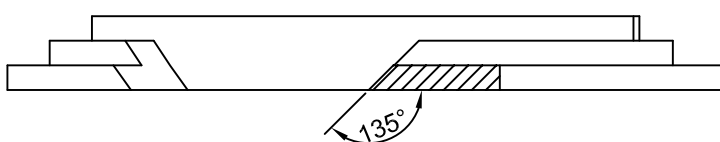
5



6

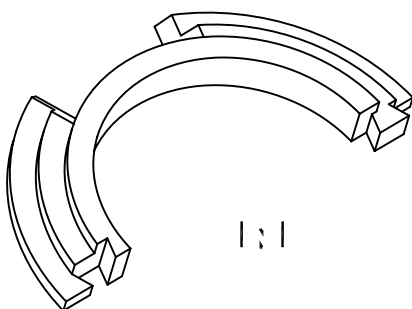
7

A - A



8

9



NOTE:

- (1) All dimensions are in mm.
- (2) Do not scale the drawing.
- (3) Tolerance for all dimension is (± 0.2)
- (4) Molding Material:
(a) Rynite FR 530 BK - UL 94 V0



DURGA ELECTRONICS (INDIA)

COMPONENT NAME: SPACER

PART NO: CFPM 8770

	NAME	SIGN.	DATE	REMARKS:	REV.
DESIGN BY	SACHIDANAND	<i>Sachidanand</i>	27.09.05		01
CHECKED BY	MANOJ GUPTA		27.09.05		
APPR. BY	MANOJ GUPTA		27.09.05	SCALE: NTS	DRG.NO: DEI/DRG/CO03

PATH
↓