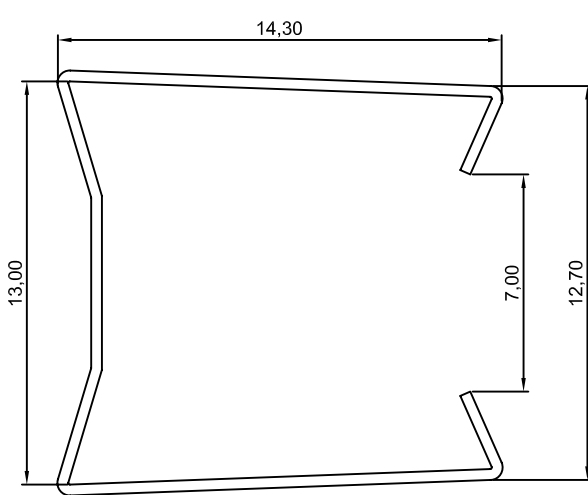
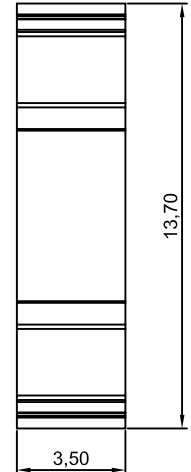
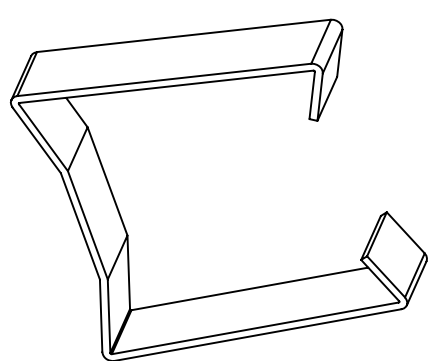



	A	B	C	D																		
	<table border="1" style="width:100%; border-collapse: collapse;"> <thead> <tr> <th colspan="5">REVISIONS</th> </tr> <tr> <th style="width: 10%;">ZONE</th> <th style="width: 10%;">REV.</th> <th style="width: 60%;">DESCRIPTION</th> <th style="width: 15%;">DATE</th> <th style="width: 5%;">APPD.</th> </tr> </thead> <tbody> <tr> <td> </td> <td> </td> <td> </td> <td> </td> <td> </td> </tr> </tbody> </table>				REVISIONS					ZONE	REV.	DESCRIPTION	DATE	APPD.								
REVISIONS																						
ZONE	REV.	DESCRIPTION	DATE	APPD.																		
1																						
2																						
3																						
4	<p>FRONT VIEW</p> <p>R.H.SIDE VIEW</p>																					
5																						
6																						
7	<p>SHEET THICKNESS 0.35mm</p>																					
8	<p>COMPONENT WEIGHT: 0.5 GMS</p>																					
9	<p>NOTE:</p> <p>(1) All dimensions are in mm.</p> <p>(2) Do not scale the drawing.</p> <p>(3) Tolerance for all dimension is (± 0.2)</p> <p>(4) Material: Stainless Spring Steel</p>			 <p>DURGA ELECTRONICS (INDIA)</p>																		
				<p>COMPONENT NAME: CLAMP</p> <p>PART NO: EE 1304</p>																		
	<table border="1" style="width:100%; border-collapse: collapse;"> <thead> <tr> <th></th> <th>NAME</th> <th>SIGN.</th> <th>DATE</th> <th rowspan="4">REMARKS:</th> <th rowspan="4">REV. 00</th> </tr> </thead> <tbody> <tr> <td>DESIGN BY</td> <td>SACHIDANAND</td> <td><i>Sachidanand</i></td> <td>29.08.05</td> </tr> <tr> <td>CHECKED BY</td> <td>MANOJ GUPTA</td> <td></td> <td>29.08.05</td> </tr> <tr> <td>APPR. BY</td> <td>MANOJ GUPTA</td> <td></td> <td>29.08.05</td> </tr> </tbody> </table>				NAME	SIGN.	DATE	REMARKS:	REV. 00	DESIGN BY	SACHIDANAND	<i>Sachidanand</i>	29.08.05	CHECKED BY	MANOJ GUPTA		29.08.05	APPR. BY	MANOJ GUPTA		29.08.05	
	NAME	SIGN.	DATE	REMARKS:	REV. 00																	
DESIGN BY	SACHIDANAND	<i>Sachidanand</i>	29.08.05																			
CHECKED BY	MANOJ GUPTA		29.08.05																			
APPR. BY	MANOJ GUPTA		29.08.05																			
	<table border="1" style="width:100%; border-collapse: collapse;"> <tr> <td>SCALE: NTS</td> <td>DRG.NO: DEI/DRG/0247</td> <td>PATH ↓</td> </tr> </table>			SCALE: NTS	DRG.NO: DEI/DRG/0247	PATH ↓																
SCALE: NTS	DRG.NO: DEI/DRG/0247	PATH ↓																				
<p>D:\DURGA\FERRITE CORE\CLAMP EE 1304</p>																						