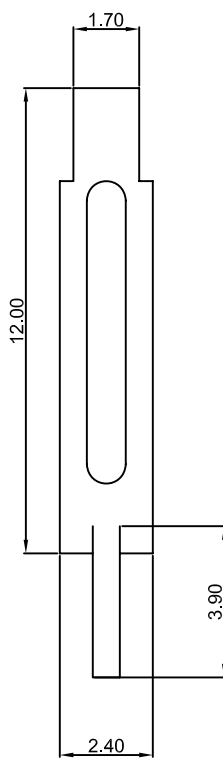
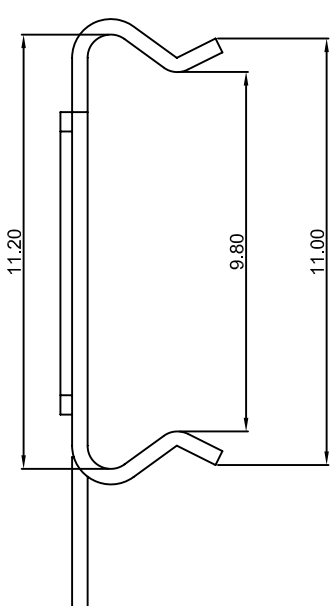
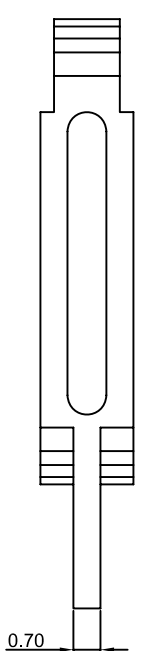
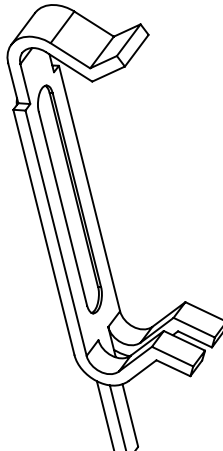



	A	B	C	D																				
	<table border="1"> <thead> <tr> <th colspan="5">REVISIONS</th> </tr> <tr> <th>ZONE</th> <th>REV.</th> <th>DESCRIPTION</th> <th>DATE</th> <th>APPD.</th> </tr> </thead> <tbody> <tr> <td> </td> <td> </td> <td> </td> <td> </td> <td> </td> </tr> </tbody> </table>				REVISIONS					ZONE	REV.	DESCRIPTION	DATE	APPD.										
REVISIONS																								
ZONE	REV.	DESCRIPTION	DATE	APPD.																				
1																								
2	 <p>L.H.SIDE VIEW</p>	 <p>FRONT VIEW</p>	 <p>R.H.SIDE VIEW</p>																					
3																								
4																								
5																								
6																								
	SHEET THICKNESS 0.40mm																							
7																								
8		COMPONENT WEIGHT: 0.2 GMS																						
9		<p>NOTE:</p> <p>(1) All dimensions are in mm.</p> <p>(2) Do not scale the drawing.</p> <p>(3) Tolerance for all dimension is (± 0.2)</p> <p>(4) Material: Stainless Spring Steel</p>	 <p>DURGA ELECTRONICS (INDIA)</p>	<p>COMPONENT NAME: CLAMP</p> <p>PART NO: RM 6</p>																				
	<table border="1"> <thead> <tr> <th></th> <th>NAME</th> <th>SIGN.</th> <th>DATE</th> <th>REMARKS:</th> <th>REV.</th> </tr> </thead> <tbody> <tr> <td>DESIGN BY</td> <td>SACHIDANAND</td> <td><i>Sachidanand</i></td> <td>10.08.05</td> <td rowspan="3"></td> <td>00</td> </tr> <tr> <td>CHECKED BY</td> <td>MANOJ GUPTA</td> <td></td> <td>10.08.05</td> </tr> <tr> <td>APPR. BY</td> <td>MANOJ GUPTA</td> <td></td> <td>10.08.05</td> </tr> </tbody> </table>		NAME	SIGN.	DATE	REMARKS:	REV.	DESIGN BY	SACHIDANAND	<i>Sachidanand</i>	10.08.05		00	CHECKED BY	MANOJ GUPTA		10.08.05	APPR. BY	MANOJ GUPTA		10.08.05	SCALE: NTS	DRG.NO: DEI/DRG/0226	PATH ↓
	NAME	SIGN.	DATE	REMARKS:	REV.																			
DESIGN BY	SACHIDANAND	<i>Sachidanand</i>	10.08.05		00																			
CHECKED BY	MANOJ GUPTA		10.08.05																					
APPR. BY	MANOJ GUPTA		10.08.05																					
D:\DURGA\FERRITE CORE\CLAMP RM 6																								