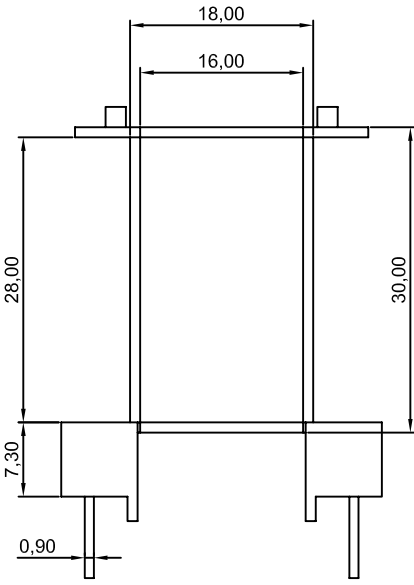
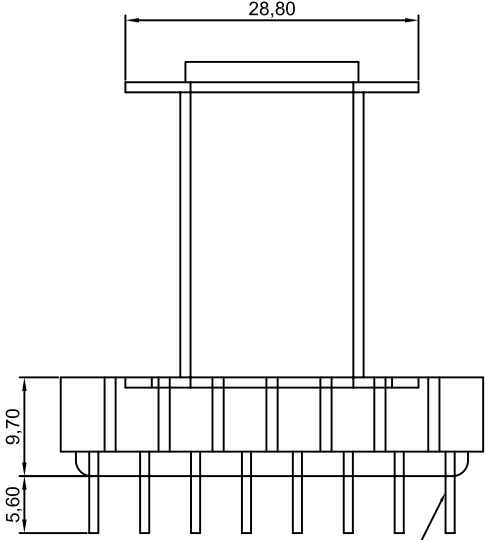


REVISIONS				
ZONE	REV.	DESCRIPTION	DATE	APPD.

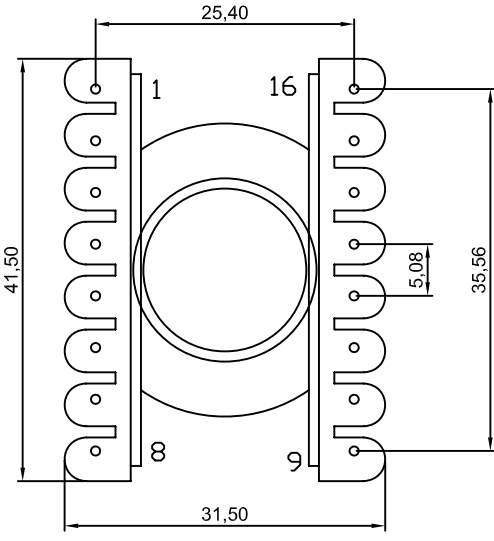


FRONT VIEW

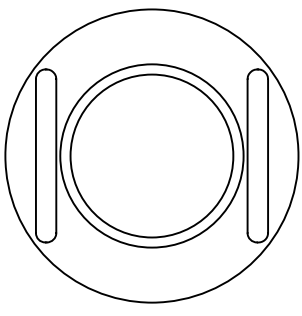


16PIN Ø0.9mm

R.H.SIDE VIEW

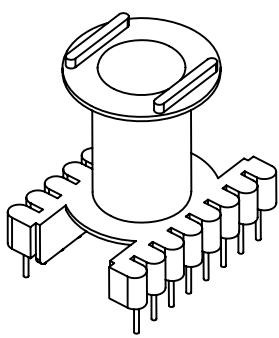


BOTTOM VIEW



TOP VIEW

COMPONENT WEIGHT: 10.0 GMS



NOTE:  
 (1) All dimensions are in mm.  
 (2) Tolerance for all dimension is (±0.2)  
 (3) Molding Material:  
 (a) Zytel FR 50 BK 153J - UL & RoHS  
 (b) Zytel 70G33L BK 031 - Non UL.  
 (c) Zytel 70G33L NC 010 - Non UL  
 (d) Rynite FR530L BK507 - UL & RoHS  
 (e) Ultramid A3X2G5 - UL & RoHS  
 (5) Pin Material: C.C.S Wire with Tin (Su) Plated

DURGA ELECTRONICS (INDIA)

COMPONENT NAME: **BOBBIN**  
 PART NO: **EC 4215 VERTICAL 16 PIN**

	NAME	SIGN.	DATE
DESIGN BY	SACHIDANAND	<i>Sachidanand</i>	26.08.04
CHECKED BY	MANOJ GUPTA		26.08.04
APPR. BY	MANOJ GUPTA		26.08.04

REMARKS:	REV.
	00
SCALE: NTS	DRG.NO: DEI/DRG/0008
	PATH