

A

B

C

D

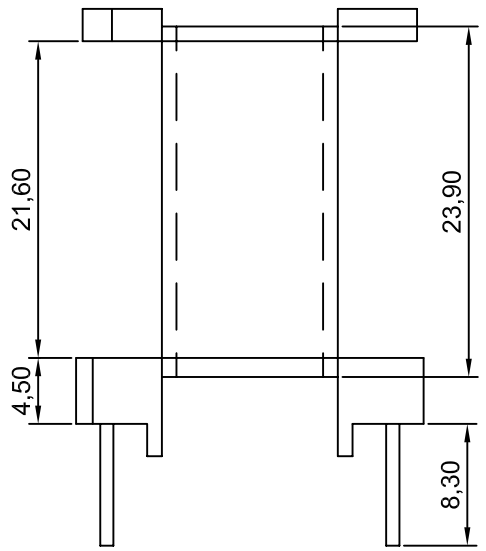
REVISIONS				
ZONE	REV.	DESCRIPTION	DATE	APPD.

1

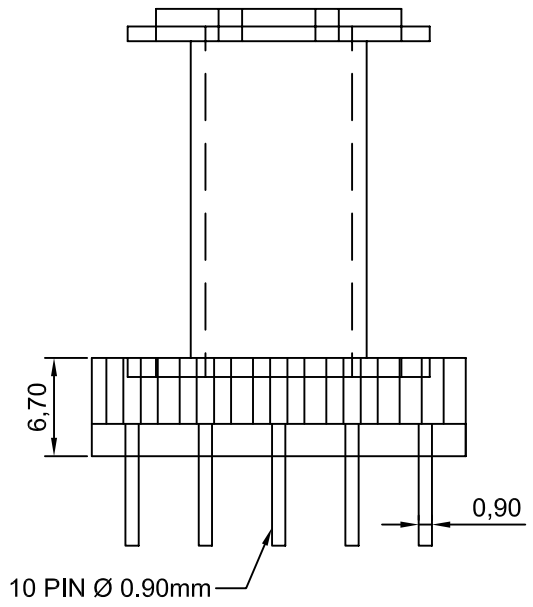
2

3

4

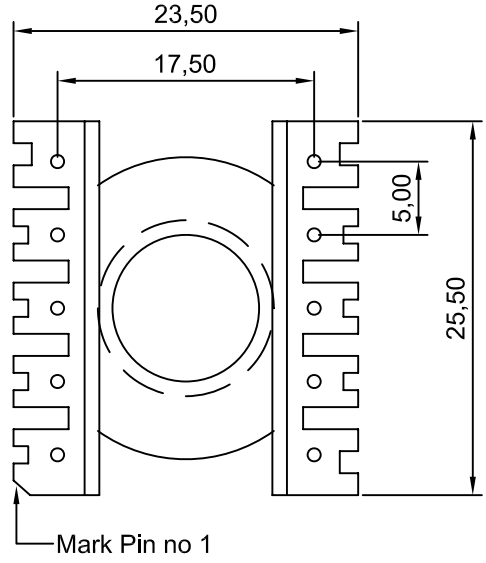


FRONT VIEW



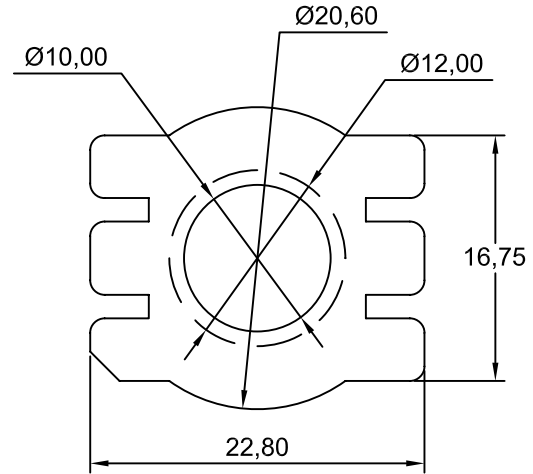
R.H.SIDE VIEW

5



BOTTOM VIEW

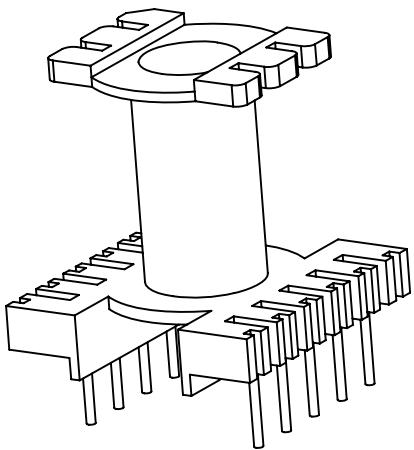
6



TOP VIEW

7

8



9

NOTE: (1) All dimensions are in mm. (2) Tolerance for all dimension is (±0.2) (3) Molding Material: (a) Zytel FR 50 BK 153J - UL & RoHS (b) Zytel 70G33L BK 031 - Non UL. (c) Zytel 70G33L NC 010 - Non UL (d) Rynite FR530L BK507 - UL & RoHS (e) Ultramid A3X2G5 - UL & RoHS (5) Pin Material: C.C.S Wire with Tin (Su) Plated					
				COMPONENT NAME: BOBBIN	
				PART NO: EER 2811 VERTICAL 10 PIN	
	NAME	SIGN.	DATE	REMARKS:	
DESIGN BY	SACHIDANAND	<i>Sachidanand</i>	12-08-10		
CHECKED BY	MANOJ GUPTA		12.08.10		
APPR. BY	MANOJ GUPTA		12.08.10	SCALE: 1:2	DRG.NO: DEI/DRG/0366
				REV. 00	PATH