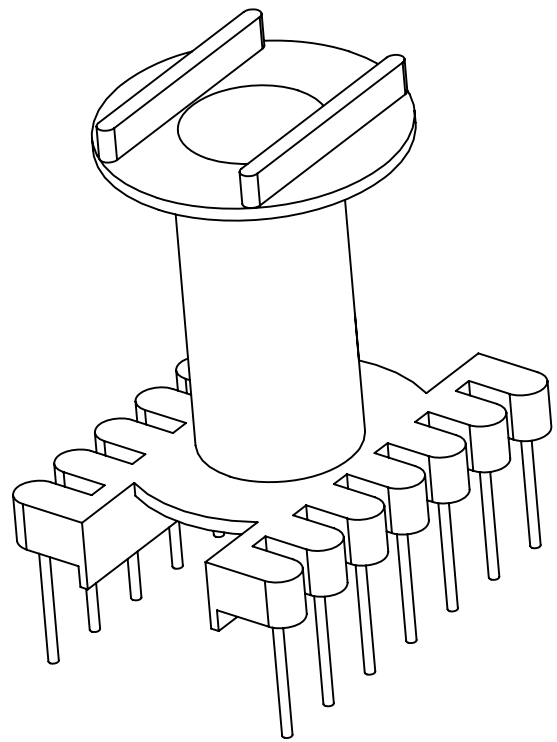
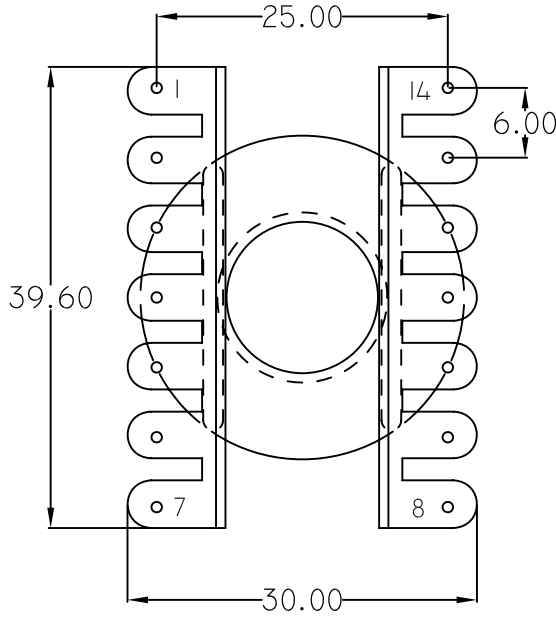
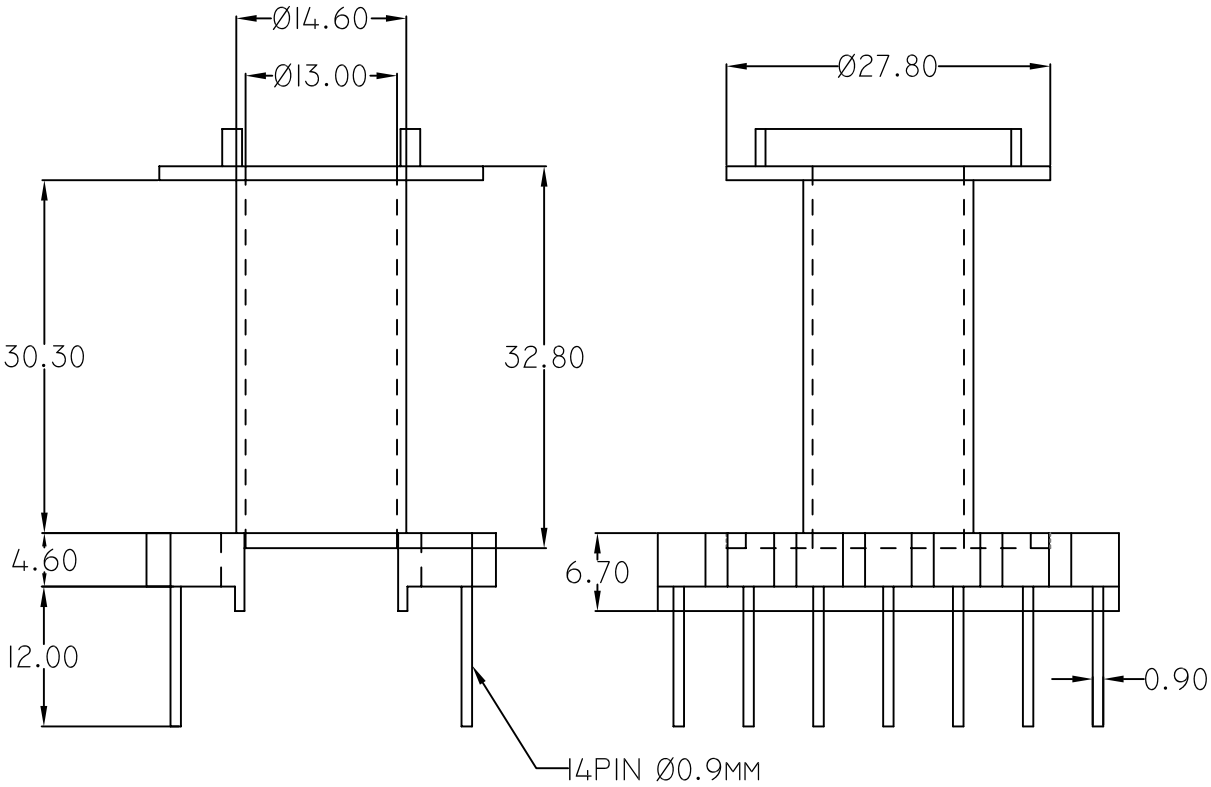


REVISIONS				
ZONE	REV.	DESCRIPTION	DATE	APPD.

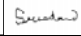


NOTE:  
 (1) ALL DIMENSIONS ARE IN MM.  
 (2) TOLERANCE FOR ALL DIMENSION IS (±0.2)  
 (3) MOLDING MATERIAL:  
 (a) Zytel FR 50 BK 153J - UL & RoHS  
 (b) Zytel 70G33L BK 031 - Non UL  
 (c) Zytel 70G33L NC 010 - Non UL  
 (d) Rynite FR530L BK607 - UL & RoHS  
 (e) Ultramid A3X2G5 - UL & RoHS  
 (f) Pin Material: C.C.S Wire with Tin (Sn) Plated

 DURGA ELECTRONICS(INDIA)

COMPONENT NAME: BOBBIN

PART NO: EER39 VER. 14PIN

NAME	SIGN.	DATE	REMARKS:	REV.
DESIGN BY SACHIDANAND		16.12.02		00
CHECKED BY MANOJ GUPTA		16.12.02		
APPR. BY MANOJ GUPTA		16.12.02		

SCALE: NTS DRG. NO: DEI/DRG/0108 PATH