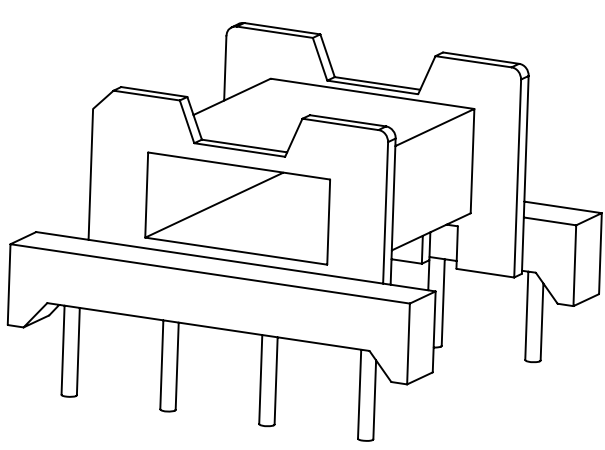
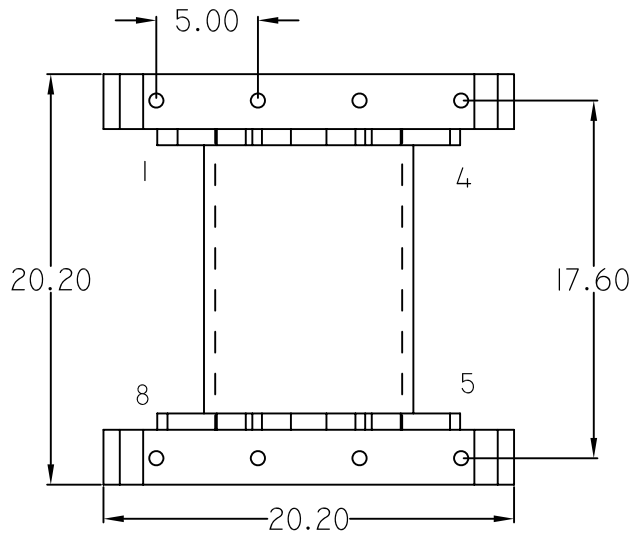
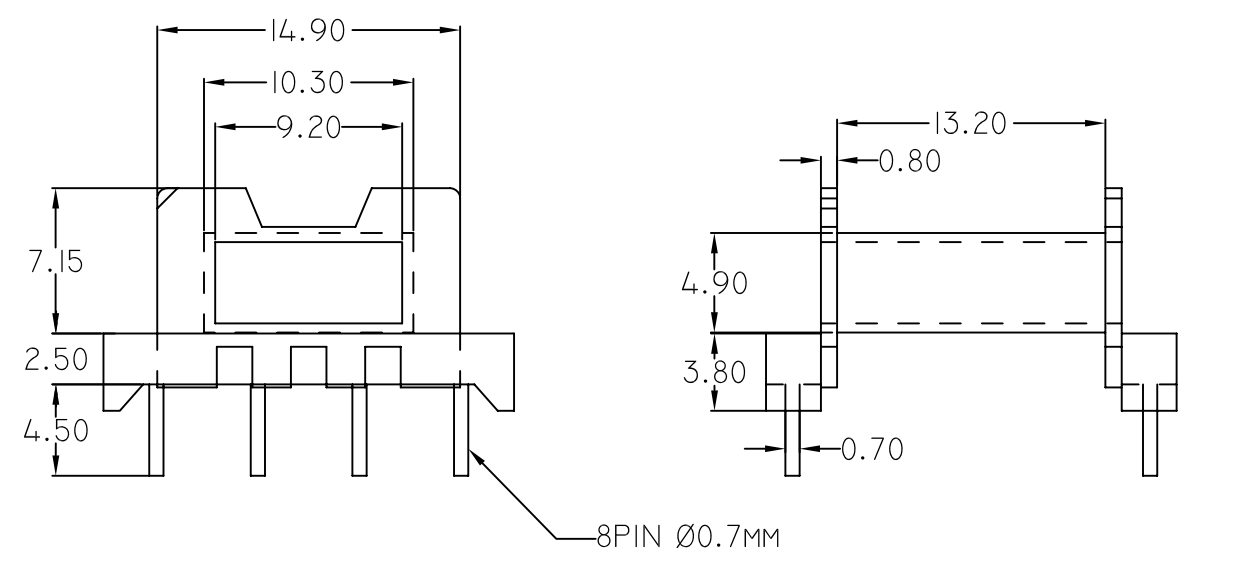


REVISIONS				
ZONE	REV.	DESCRIPTION	DATE	APPD.



COMPONENT WEIGHT - 1.3 GMS

NOTE: (1) ALL DIMENSIONS ARE IN MM. (2) TOLERANCE FOR ALL DIMENSION IS (±0.2) (3) MOLDING MATERIAL: (a) Zytel FR 50 BK 1531 - UL & RoHS (b) Zytel 70G33L BK 031 - Non UL (c) Zytel 70G33L NC 010 - Non UL (d) Ryntel FR530L BK507 - UL & RoHS (e) Ultramid A3X2G5 - UL & RoHS (5) Pin Material: C.C.S Wire with Tin (Sn) Plated					
COMPONENT NAME: BOBBIN				PART NO: EFD20 HOR. 8PIN	
REMARKS:				REV. 00	
DESIGN BY	SACHIDANAND	Sachidanand	12.12.02	SCALE: NTS DRG. NO: DE1/DRG/0111 PATH	
CHECKED BY	MANOJ GUPTA		12.12.02	↓	
APPR. BY	MANOJ GUPTA		12.12.02		