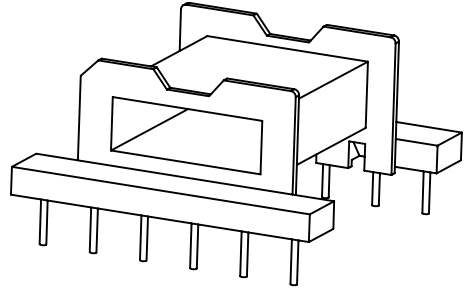
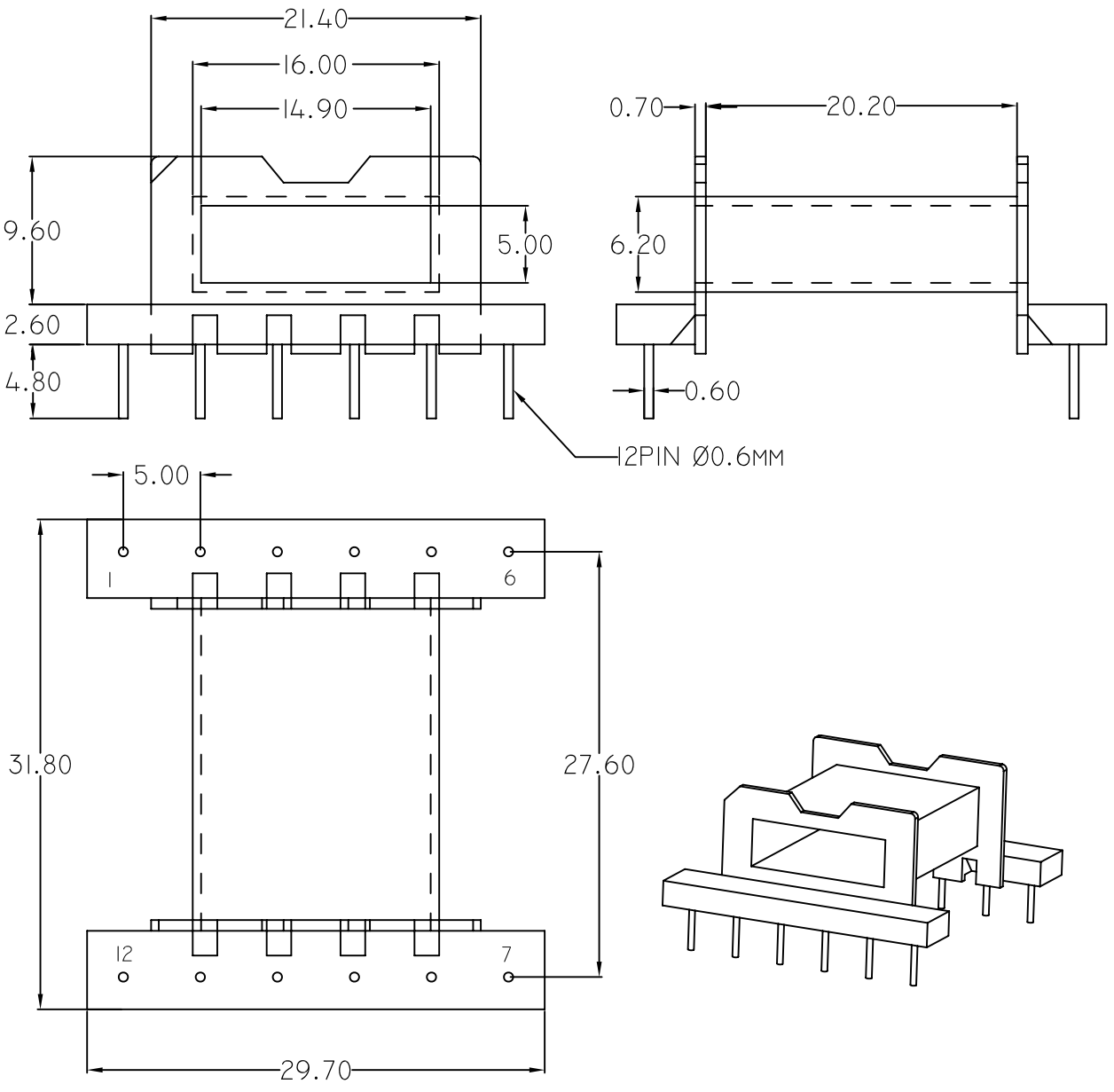


| REVISIONS | | | | |
|-----------|------|-------------|------|-------|
| ZONE | REV. | DESCRIPTION | DATE | APPD. |



COMPONENT WEIGHT - 2.5 GMS

NOTE:

- (1) All dimensions are in mm.
- (2) Tolerance for all dimension is ± 0.2
- (3) Molding Material:
 - (a) Zytel FR 50 BK 153J - UL & RoHS
 - (b) Zytel 70G33L BK 031 - Non UL
 - (c) Zytel 70G33L NC 010 - Non UL
 - (d) Rynite FR530L BK507 - UL & RoHS
 - (e) Ultramid A3X2G5 - UL & RoHS
- (5) Pin Material: C.C.S Wire with Tin (Sn) Plated

| | NAME | SIGN. | DATE |
|------------|-------------|-------|----------|
| DESIGN BY | SACHIDANAND | | 12.12.02 |
| CHECKED BY | MANOJ GUPTA | | 12.12.02 |
| APPR. BY | MANOJ GUPTA | | 12.12.02 |

| | |
|---------------------------|-----------------------|
| DURGA ELECTRONICS(INDIA) | |
| COMPONENT NAME: BOBBIN | |
| PART NO: EFD30 HOR. 12PIN | |
| REMARKS: | REV. 00 |
| SCALE: NTS | DRG. NO: DEI/DRG/0114 |
| PATH | |