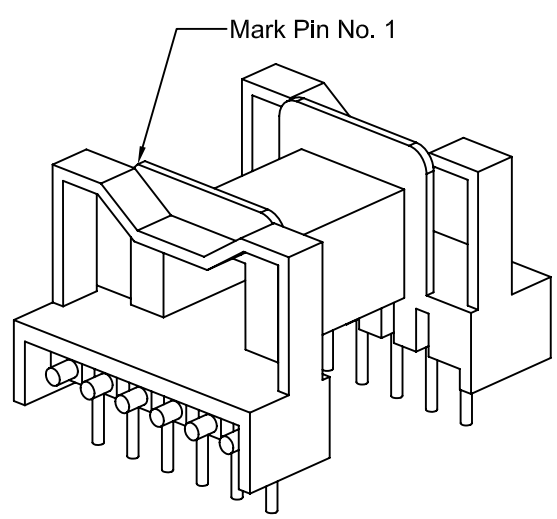
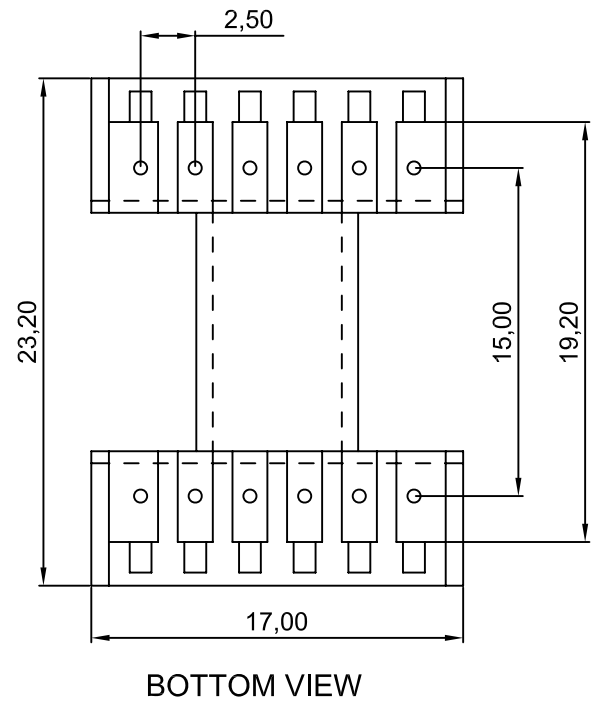
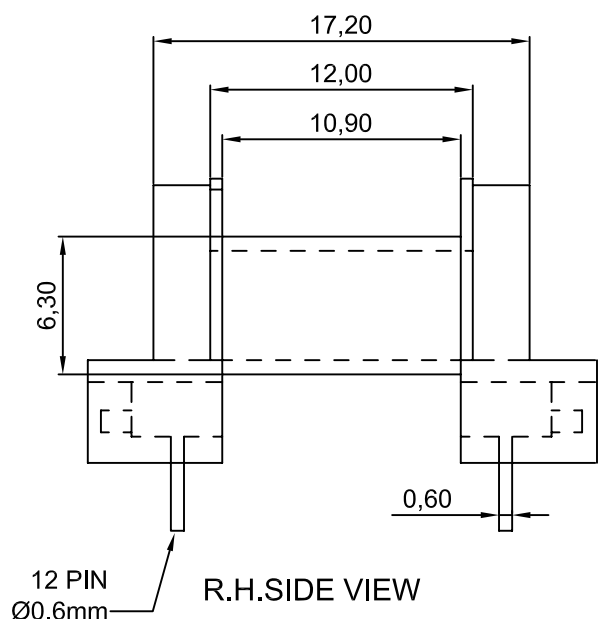
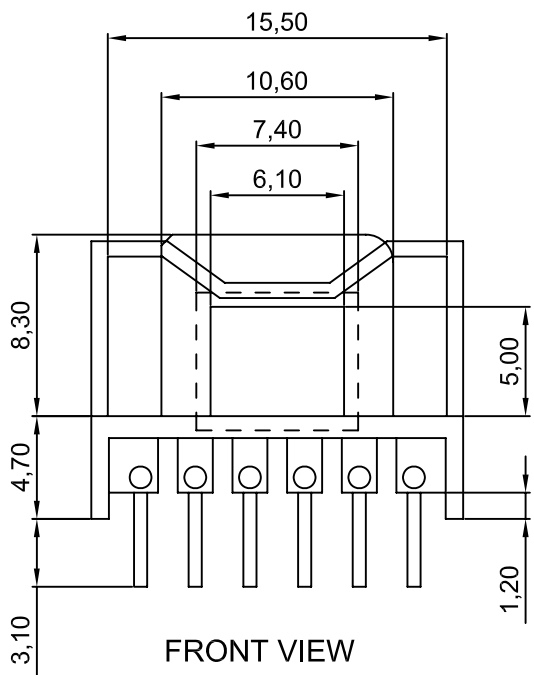


| REVISIONS | | | | |
|-----------|------|-------------|------|-------|
| ZONE | REV. | DESCRIPTION | DATE | APPD. |
| | | | | |



NOTE:
 (1) All dimensions are in mm.
 (2) Tolerance for all dimension is (±0.2)
 (3) Molding Material:
 (a) Zytel FR 50 BK 153J - UL & RoHS
 (b) Zytel 70G33L BK 031 - Non UL
 (c) Zytel 70G33L NC 010 - Non UL
 (d) Rynite FR530L BK507 - UL & RoHS
 (e) Ultramid A3X2G5 - UL & RoHS
 (5) Pin Material: C.C.S Wire with Tin (Su) Plated

 **DURGA ELECTRONICS (INDIA)**

COMPONENT NAME: BOBBIN

PART NO: EVD 1509 HORIZONTAL 12PIN

| | NAME | SIGN. | DATE |
|------------|-------------|-------|----------|
| DESIGN BY | SACHIDANAND | | 19.07.05 |
| CHECKED BY | MANOJ GUPTA | | 19.07.05 |
| APPR. BY | MANOJ GUPTA | | 19.07.05 |

| | | | |
|-----------------|----------------------|------|------------|
| REMARKS: | | | REV. 00 |
| SCALE: NTS | DRG.NO: DEI/DRG/0293 | PATH | |
| ↓ | | | |