

A

B

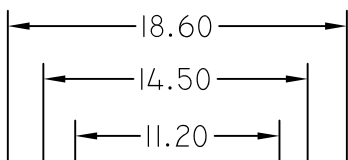
C

D

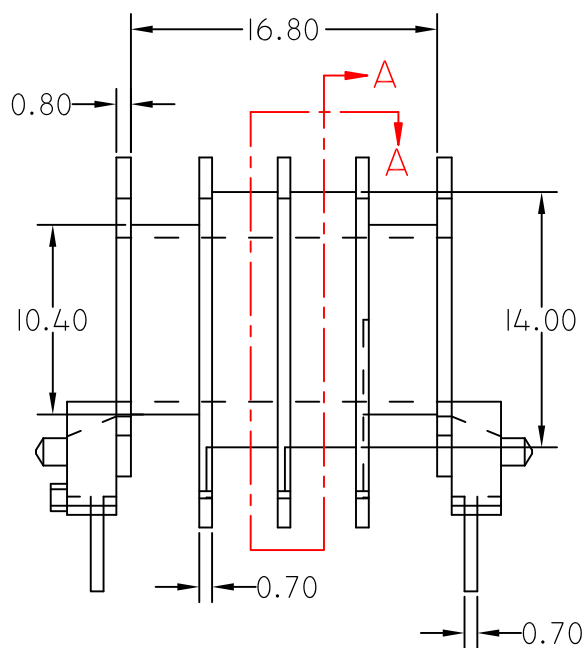
REVISIONS

ZONE	REV.	DESCRIPTION	DATE	APPD.

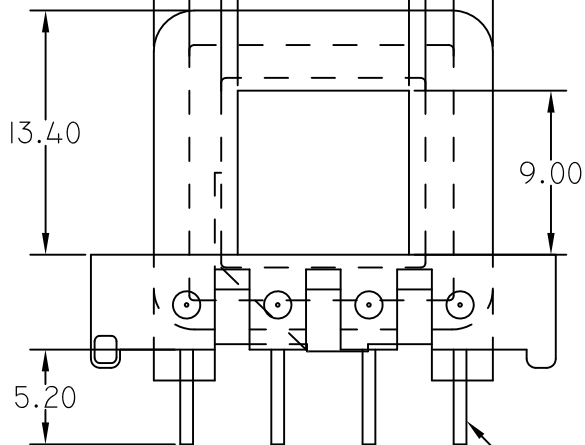
1



2



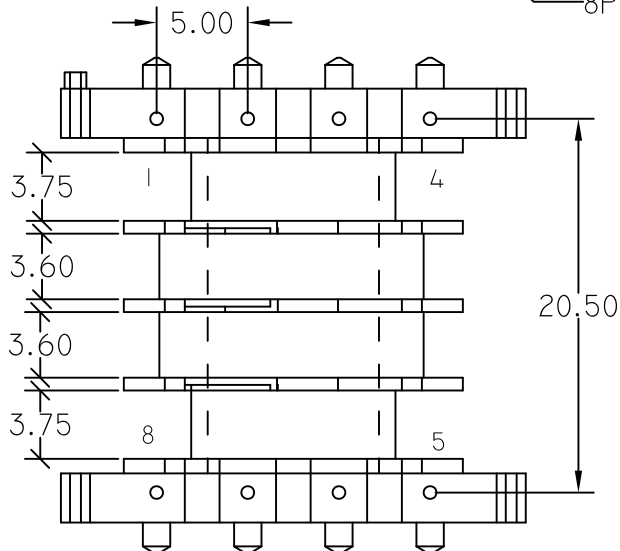
3



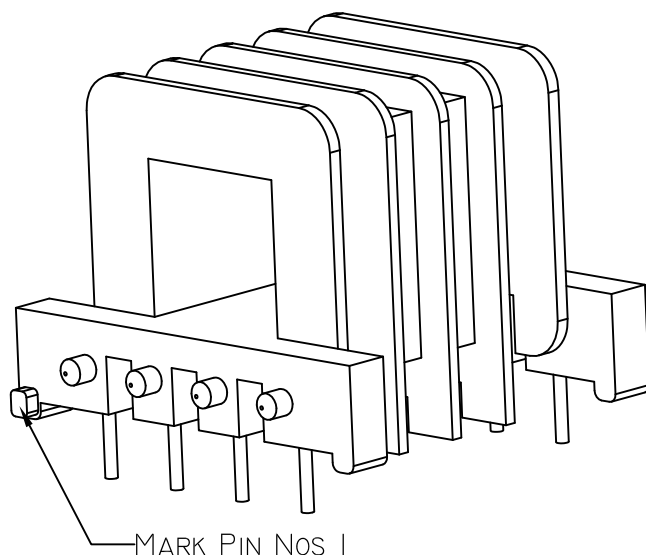
4

8PIN Ø0.7MM

5

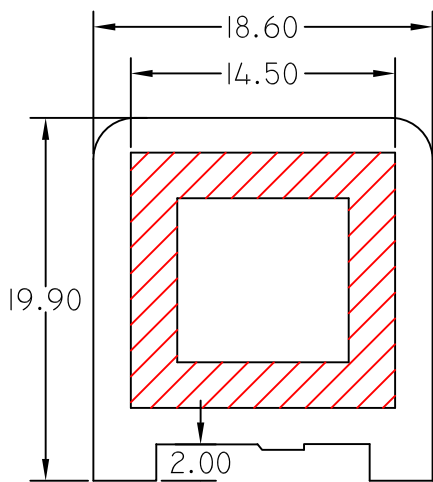


6



7

8



SECTION A-A

9

NOTE:

- (1) All dimensions are in mm.
- (2) Tolerance for all dimension is (±0.2)
- (3) Molding Material:
 - (a) Zytel FR 50 BK 153J - UL & RoHS
 - (b) Zytel 70G33L BK 031 - Non UL
 - (c) Zytel 70G33L NC 010 - Non UL
 - (d) Rynite FR530L BK507 - UL & RoHS
 - (e) Ultramid A3X2G5 - UL & RoHS
- (5) Pin Material: C.C.S Wire with Tin (Su) Plated



DURGA ELECTRONICS(INDIA)

COMPONENT NAME: BOBBIN

PART NO: EVD25 HOR. 8PIN 4S

REMARKS:

NAME	SIGN.	DATE
DESIGN BY SACHIDANAND	<i>Sachidanand</i>	9.01.03
CHECKED BY MANOJ GUPTA		9.01.03
APPR. BY MANOJ GUPTA		9.01.03

REV.
00

SCALE: NTS

DRG. NO: DEI/DRG/0113

PATH

