

A

B

C

D

REVISIONS

ZONE REV. DESCRIPTION DATE APPD.

1

2

3

4

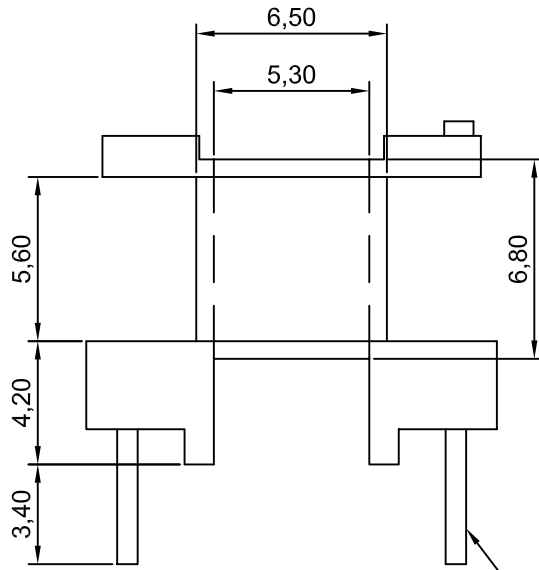
5

6

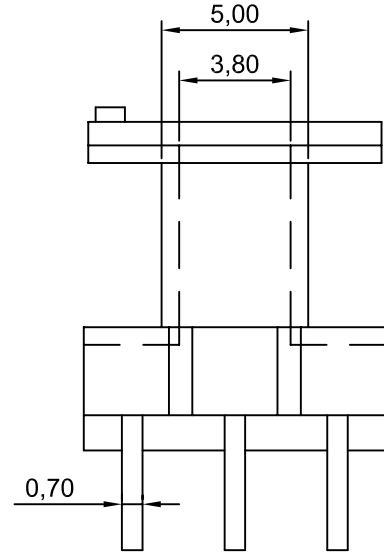
7

8

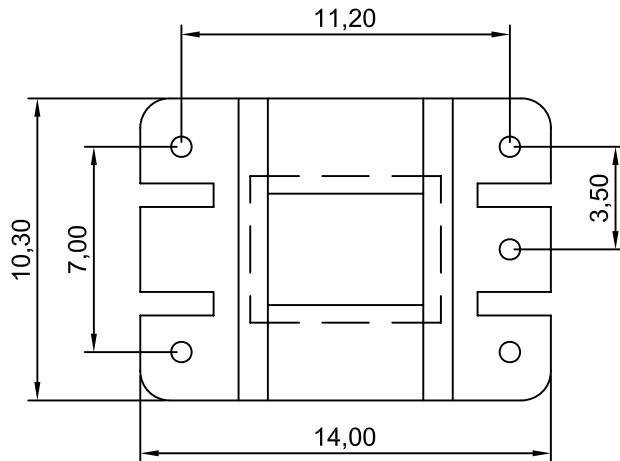
9



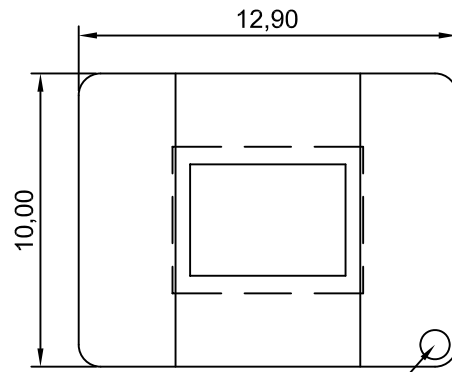
FRONT VIEW



R.H.SIDE VIEW



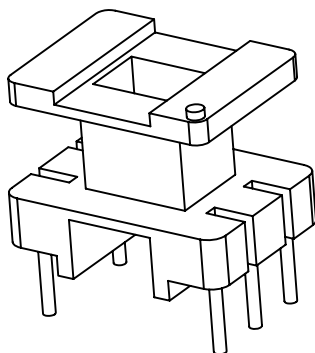
BOTTOM VIEW



Mark Pin No.1

TOP VIEW

PAGE 1-1



## NOTE:

(1) All dimensions are in mm.

(2) Tolerance for all dimension is (±0.2)

(3) Molding Material:

(a) Zytel FR 50 BK 153J - UL &amp; RoHS

(b) Zytel 70G33L BK 031 - Non UL

(c) Zytel 70G33L NC 010 - Non UL

(d) Rynite FR530L BK507 - UL &amp; RoHS

(e) Ultramid A3X2G5 - UL &amp; RoHS

(5) Pin Material: C.C.S Wire with Tin (Su) Plated



DURGA ELECTRONICS (INDIA)

COMPONENT NAME: BOBBIN

PART NO: EX 14 VERTICAL  
5 PIN

	NAME	SIGN.	DATE
DESIGN BY	SACHIDANAND	<i>Sachidanand</i>	06.08.04
CHECKED BY	MANOJ GUPTA		06.08.04
APPR. BY	MANOJ GUPTA		06.08.04

REMARKS:

REV.  
00

SCALE: 1:4

DRG.NO: DEI/DRG/L004

PATH  
↓