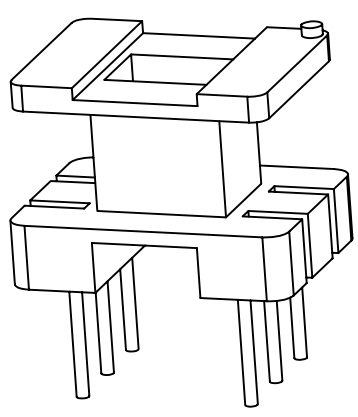
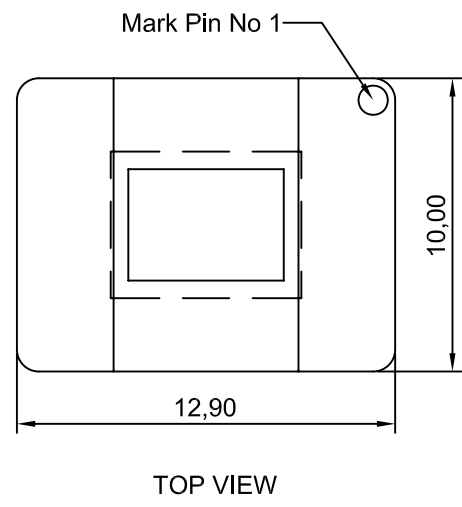
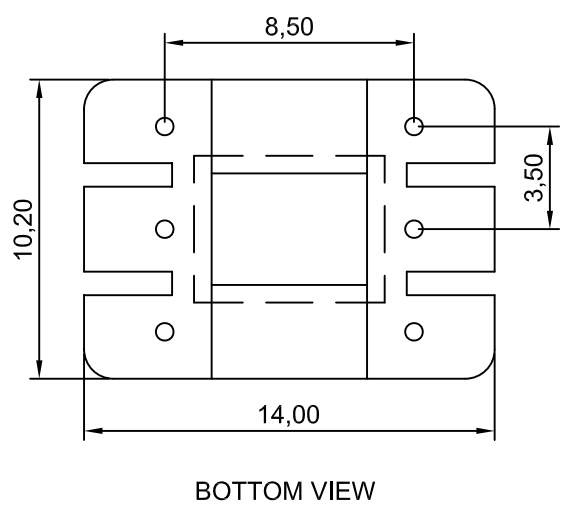
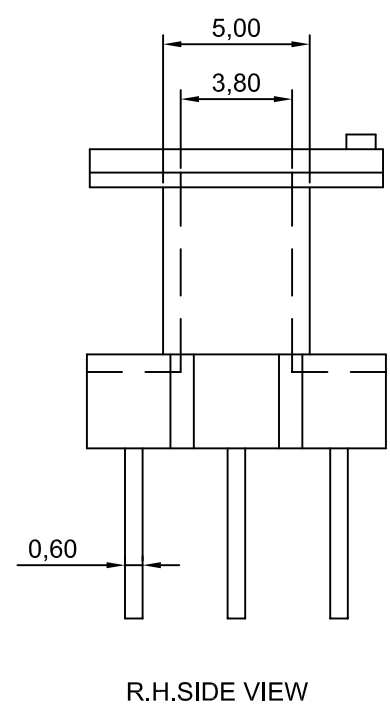
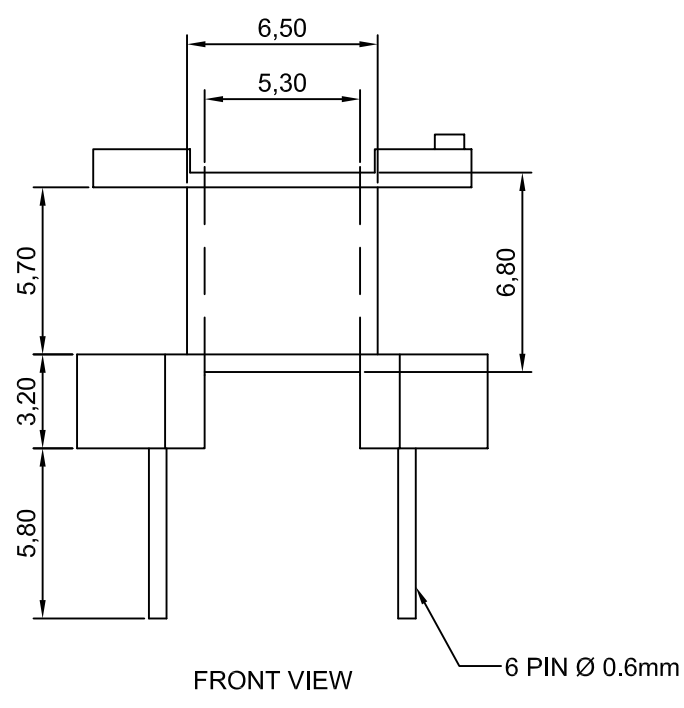


| REVISIONS | | | | |
|-----------|------|-------------|------|-------|
| ZONE | REV. | DESCRIPTION | DATE | APPD. |

1
2
3
4
5
6
7
8
9



PAGE 1-1

| | | | | | |
|---|-------------|-------------|----------|-------------------------------|---------|
| <p>NOTE: (1) All dimensions are in mm. (2) Tolerance for all dimension is (±0.2) (3) Molding Material: (a) Zytel FR 50 BK 153J - UL & RoHS (b) Zytel 70G33L BK 031 - Non UL (c) Zytel 70G33L NC 010 - Non UL (d) Rynite FR530L BK507 - UL & RoHS (e) Ultramid A3X2G5 - UL & RoHS (5) Pin Material: C.C.S Wire with Tin (Su) Plated</p> | | | | | |
| COMPONENT NAME: BOBBIN | | | | PART NO: EX 14 VERTICAL 6 PIN | |
| DESIGN BY | SACHIDANAND | SACHIDANAND | 27.07.04 | REMARKS: | REV. 00 |
| CHECKED BY | MANOJ GUPTA | | 27.07.04 | | |
| APPR. BY | MANOJ GUPTA | | 27.07.04 | | |
| SCALE: 1:4 | | | | DRG.NO: DEI/DRG/L005 | PATH ↓ |