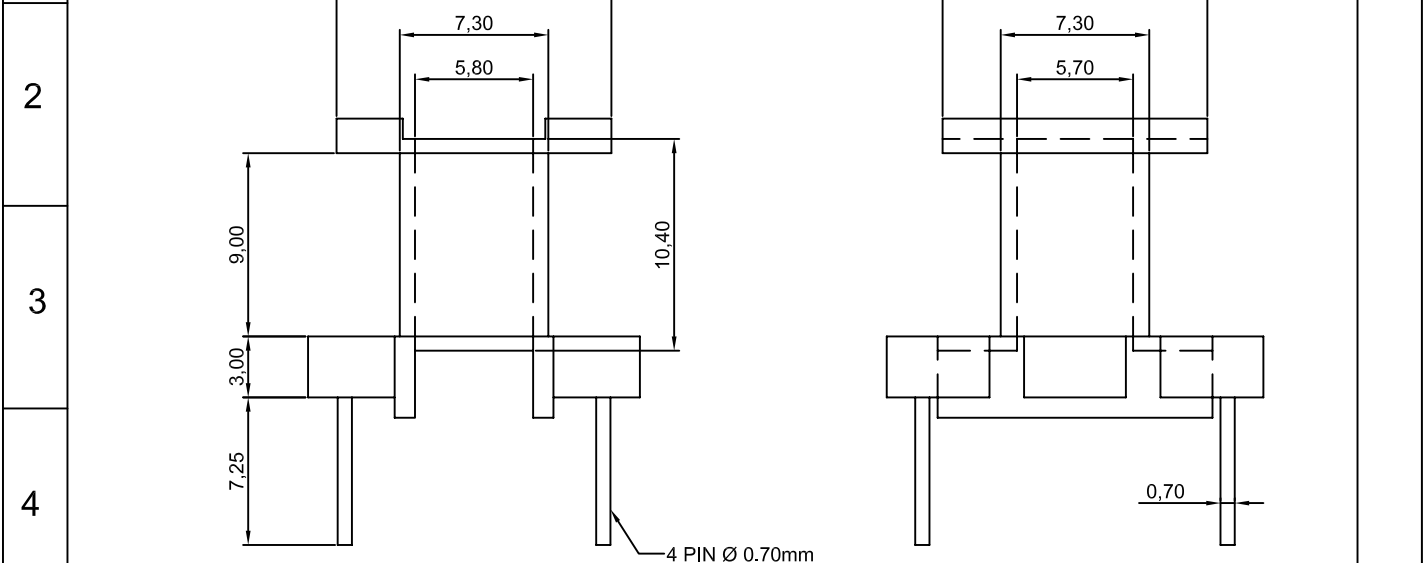


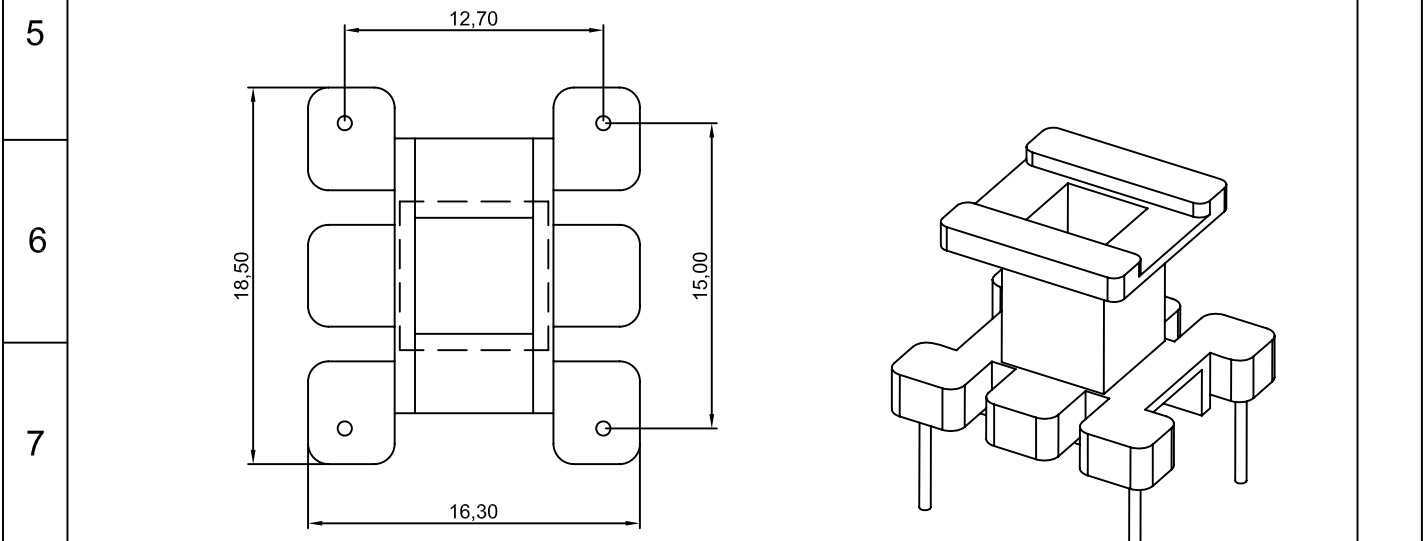
REVISIONS				
ZONE	REV.	DESCRIPTION	DATE	APPD.



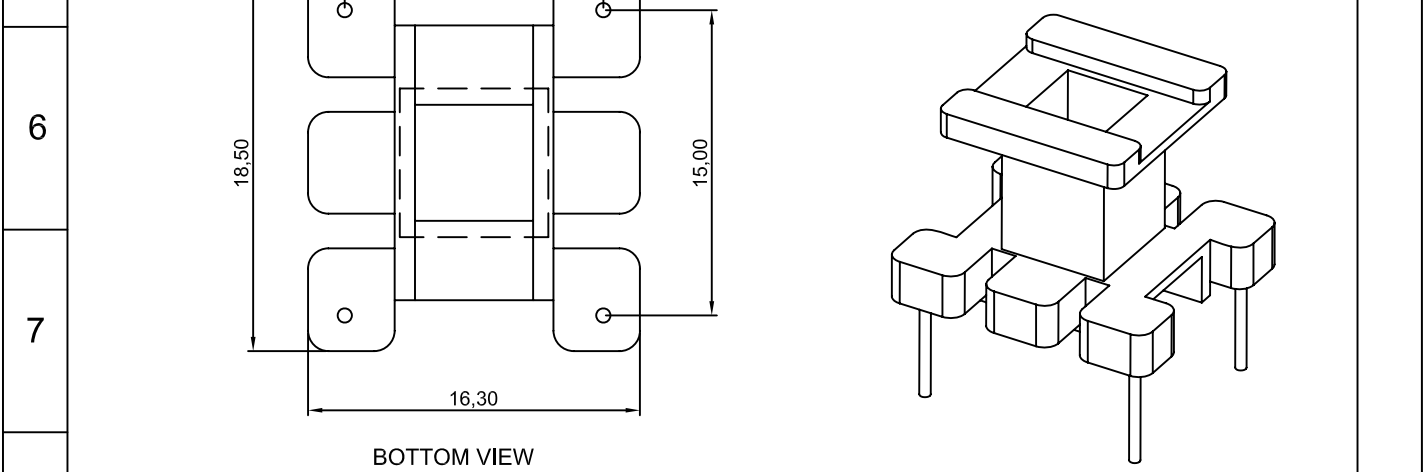
FRONT VIEW



R.H.SIDE VIEW



BOTTOM VIEW



9	NOTE: (1) All dimensions are in mm. (2) Tolerance for all dimension is (±0.2) (3) Molding Material: (a) Zytel FR 50 BK 153J - UL & RoHS (b) Zytel 70G33L BK 031 - Non UL (c) Zytel 70G33L NC 010 - Non UL (d) Rynite FR530L BK507 - UL & RoHS (e) Ultramid A3X2G5 - UL & RoHS (5) Pin Material: C.C.S Wire with Tin (Su) Plated				DURGA ELECTRONICS (INDIA)																	
	COMPONENT NAME: BOBBIN																					
	PART NO: L 164-6 VERTICAL 4 PIN																					
<table border="1" style="width:100%; border-collapse: collapse;"> <tr> <td style="width:15%;"></td> <td style="width:25%;">NAME</td> <td style="width:15%;">SIGN.</td> <td style="width:15%;">DATE</td> </tr> <tr> <td>DESIGN BY</td> <td>SACHIDANAND</td> <td><i>Sachidanand</i></td> <td>15.09.05</td> </tr> <tr> <td>CHECKED BY</td> <td>MANOJ GUPTA</td> <td></td> <td>15.09.05</td> </tr> <tr> <td>APPR. BY</td> <td>MANOJ GUPTA</td> <td></td> <td>15.09.05</td> </tr> </table>					NAME	SIGN.	DATE	DESIGN BY	SACHIDANAND	<i>Sachidanand</i>	15.09.05	CHECKED BY	MANOJ GUPTA		15.09.05	APPR. BY	MANOJ GUPTA		15.09.05	REMARKS:		REV. 00
	NAME	SIGN.	DATE																			
DESIGN BY	SACHIDANAND	<i>Sachidanand</i>	15.09.05																			
CHECKED BY	MANOJ GUPTA		15.09.05																			
APPR. BY	MANOJ GUPTA		15.09.05																			
SCALE: NTS				DRG.NO: DEI/DRG/L040		PATH ↓																