

A

B

C

D

REVISIONS

ZONE	REV.	DESCRIPTION	DATE	APPD.

1

2

3

4

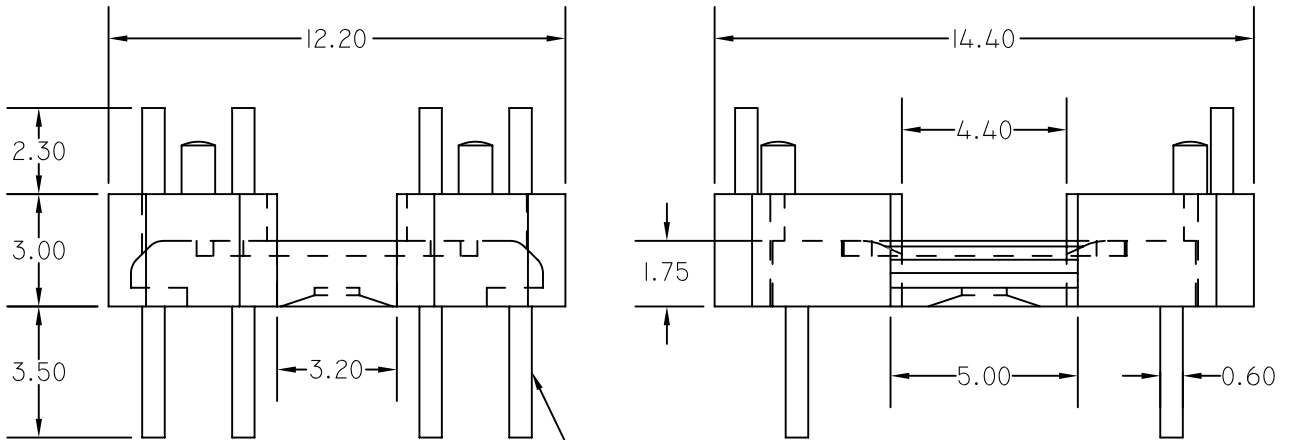
5

6

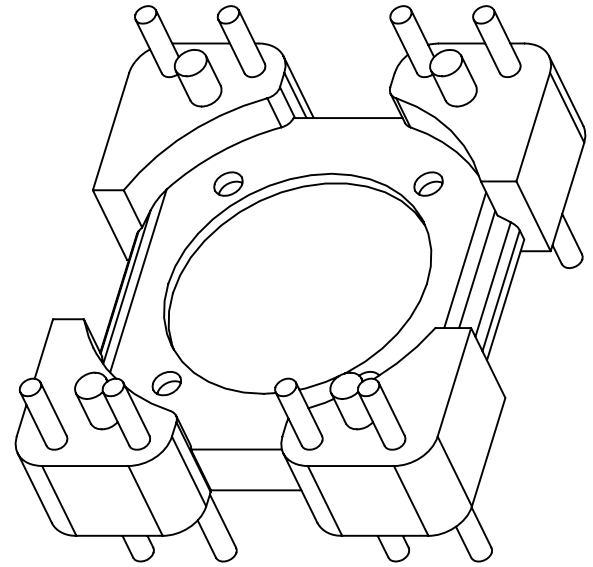
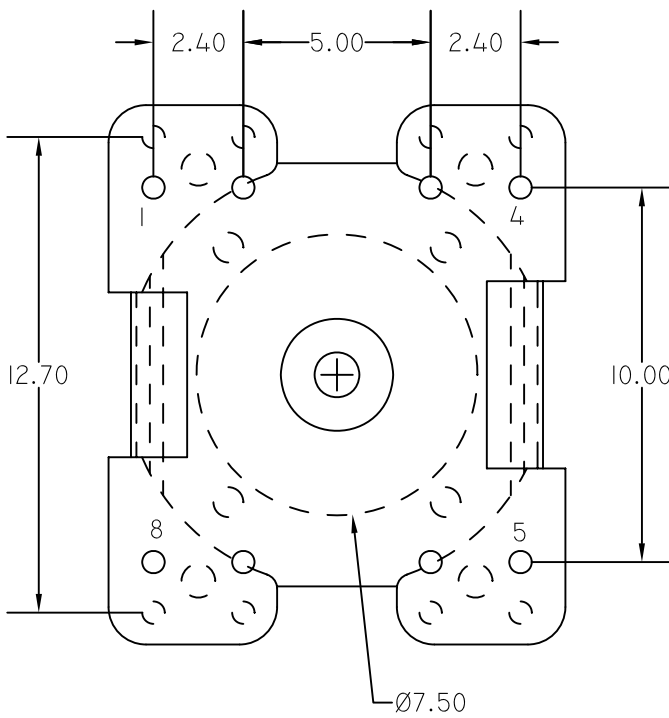
7

8

9



8PIN Ø0.6MM



COMPONENT WEIGHT - 1.0 GMS

NOTE:

- (1) All dimensions are in mm.
 (2) Tolerance for all dimension is (±0.2)
 (3) Molding Material:
 (a) Zytel FR 50 BK 153J - UL & RoHS
 (b) Zytel 70G33L BK 031 - Non UL.
 (c) Zytel 70G33L NC 010 - Non UL
 (d) Rynite FR530L BK507 - UL & RoHS
 (e) Ultramid A3X2G5 - UL & RoHS
 (5) Pin Material: C.C.S Wire with Tin (Su) Plated



DURGA ELECTRONICS(INDIA)

COMPONENT NAME: BASE

PART NO: PCIIX7-8PIN

REMARKS:

REV.
00

	NAME	SIGN.	DATE
DESIGN BY	SACHIDANAND	<i>Sachidanand</i>	23.02.03
CHECKED BY	MANOJ GUPTA		23.02.03
APPR. BY	MANOJ GUPTA		23.02.03

SCALE: NTS DRG. NO: DEI/DRG/0142

PATH



D:\DURGA\POT CORE\PCIIX7-8PIN BASE