

A

B

C

D

REVISIONS

ZONE	REV.	DESCRIPTION	DATE	APPD.

1

2

3

4

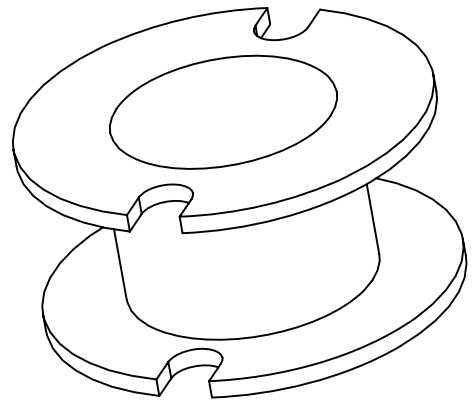
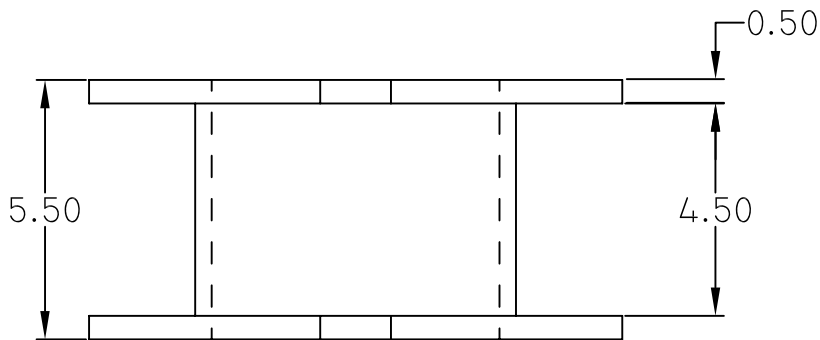
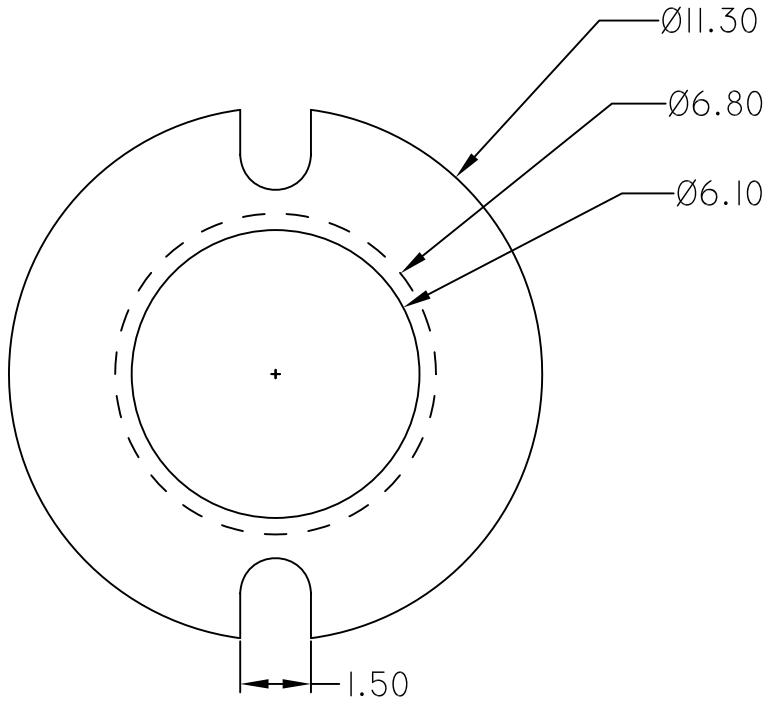
5

6

7

8

9



COMPONENT WEIGHT - 0.3 GMS

NOTE:

- (1) All dimensions are in mm.
 (2) Tolerance for all dimension is (± 0.2)
 (3) Molding Material:
(a) Deralin



DURGA ELECTRONICS(INDIA)

COMPONENT NAME: BOBBIN

PART NO: PC-14X8

REMARKS:

REV.
00

	NAME	SIGN.	DATE
DESIGN BY	SACHIDANAND	<i>Sachidanand</i>	21.12.02
CHECKED BY	MANOJ GUPTA		21.12.02
APPR. BY	MANOJ GUPTA		21.12.02

SCALE: NTS DRG. NO: DEI/DRG/0145

PATH



D:\DURGA\POT CORE\PC-14X8