

A

B

C

D

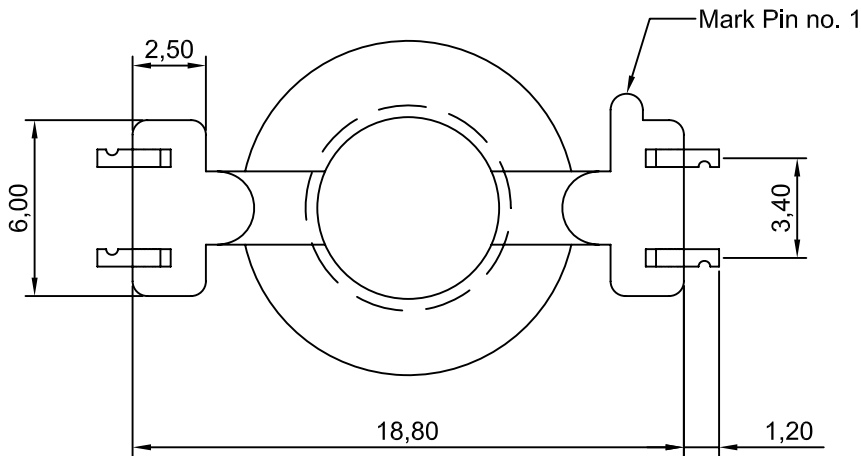
REVISIONS

ZONE	REV.	DESCRIPTION	DATE	APPD.

1

2

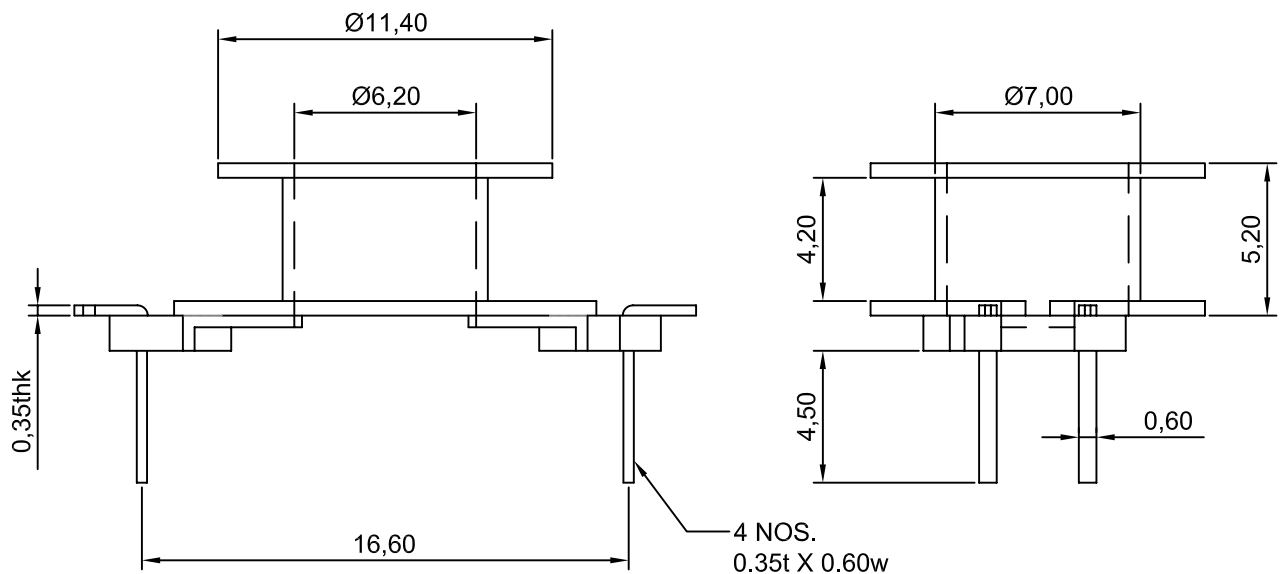
3



TOP VIEW

4

5



FRONT VIEW

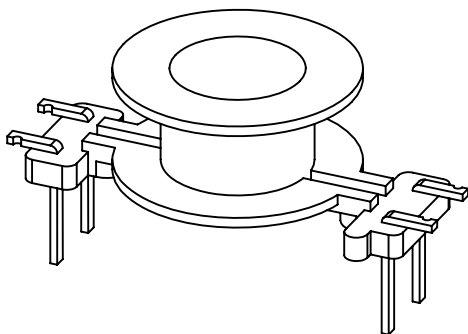
SIDE VIEW

7

8

COMPONENT WEIGHT : 0.4 GMS

9



NOTE:

- (1) All dimensions are in mm.
- (2) Tolerance for all dimension is (±0.2)
- (3) Molding Material:
  - (a) Zytel FR 50 BK 153J - UL & RoHS
  - (b) Zytel 70G33L BK 031 - Non UL.
  - (c) Zytel 70G33L NC 010 - Non UL
  - (d) Rynite FR530L BK507 - UL & RoHS
  - (e) Ultramid A3X2G5 - UL & RoHS
- (5) Pin Material: C.C.S Wire with Tin (Su) Plated



DURGA ELECTRONICS (INDIA)

COMPONENT NAME: POT CORE

PART NO: PC 14 X 08 4PIN

	NAME	SIGN.	DATE	REMARKS:	REV.
DESIGN BY	SACHIDANAND		02.03.06		00
CHECKED BY	MANOJ GUPTA		02.03.06		
APPR. BY	MANOJ GUPTA		02.03.06	SCALE: NTS	DRG.NO: DEI/DRG/0309
					PATH

D:\DURGA\POT CORE\PC 14 X 08 4PIN