

A

B

C

D

REVISIONS

ZONE	REV.	DESCRIPTION	DATE	APPD.

1

2

3

4

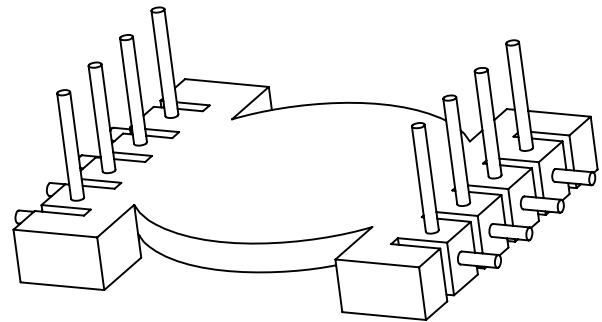
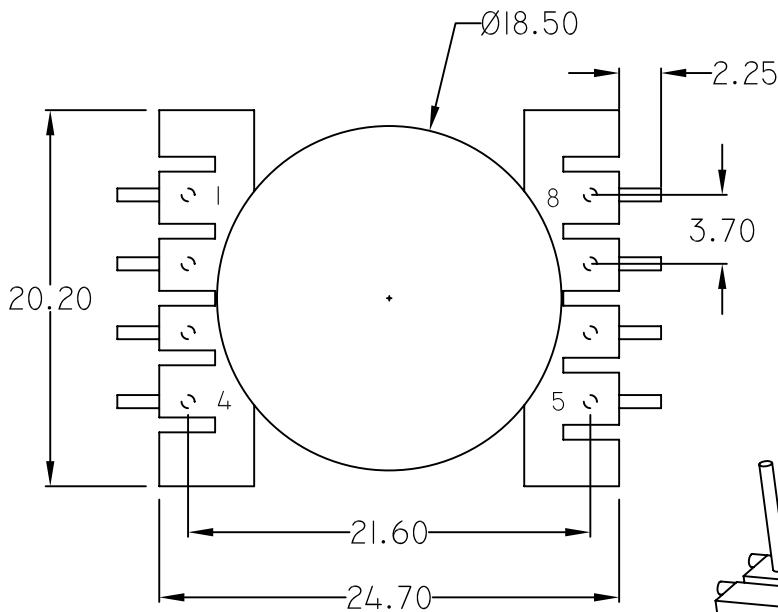
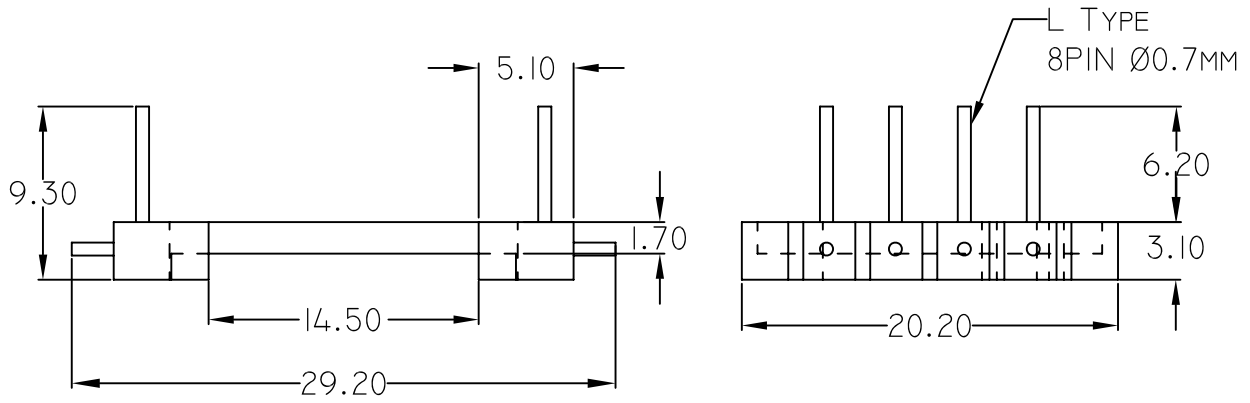
5

6

7

8

9



COMPONENT WEIGHT : 2.0 GMS

NOTE:
 (1) All dimensions are in mm,
 (2) Tolerance for all dimension is ± 0.2
 (3) Molding Material:

(a) Zytel FR 50 BK 153J - UL & RoHS
 (b) Zytel 70G33L BK 031 - Non UL
 (c) Zytel 70G33L NC 010 - Non UL
 (d) Rylnite FR530L BK507 - UL & RoHS
 (e) Ultramid A3X2G5 - UL & RoHS
 (5) Pin Material: C.C.S Wire with Tin (Sn) Plated



DURGA ELECTRONICS(INDIA)

COMPONENT NAME: BASE

PART NO: PCI4X8 8PIN LTYPE

REMARKS:

REV.
00

	NAME	SIGN.	DATE
DESIGN BY	SACHIDANAND	<i>Sachidanand</i>	15.11.02
CHECKED BY	MANOJ GUPTA		15.11.02
APPR. BY	MANOJ GUPTA		15.11.02

SCALE: NTS DRG. NO: DEI/DRG/0146

PATH
↓

D:\DURGA\BASE PLATE\BASE FOR PCI4X8-8PIN-LTYPE