

A

B

C

D

REVISIONS

ZONE	REV.	DESCRIPTION	DATE	APPD.

1

2

3

4

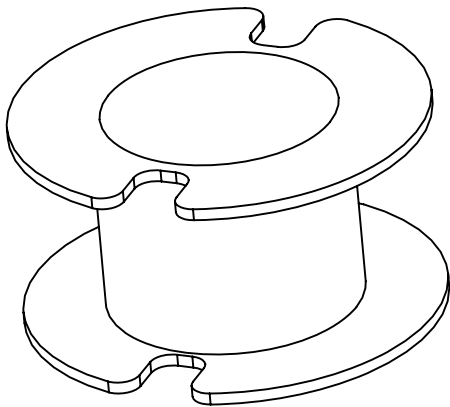
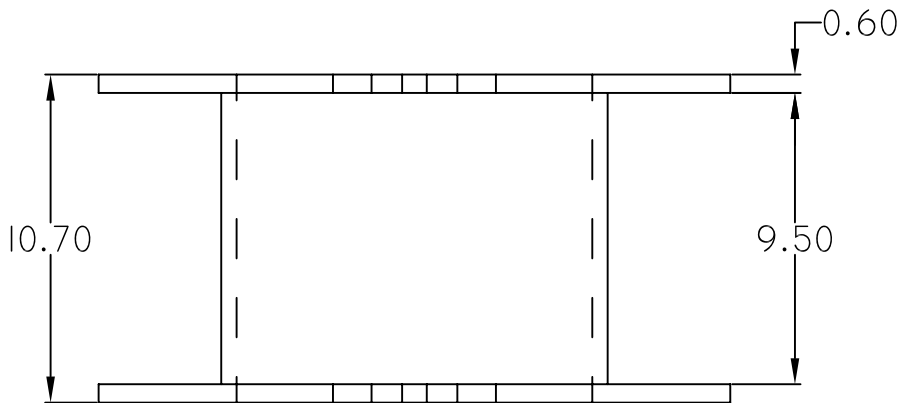
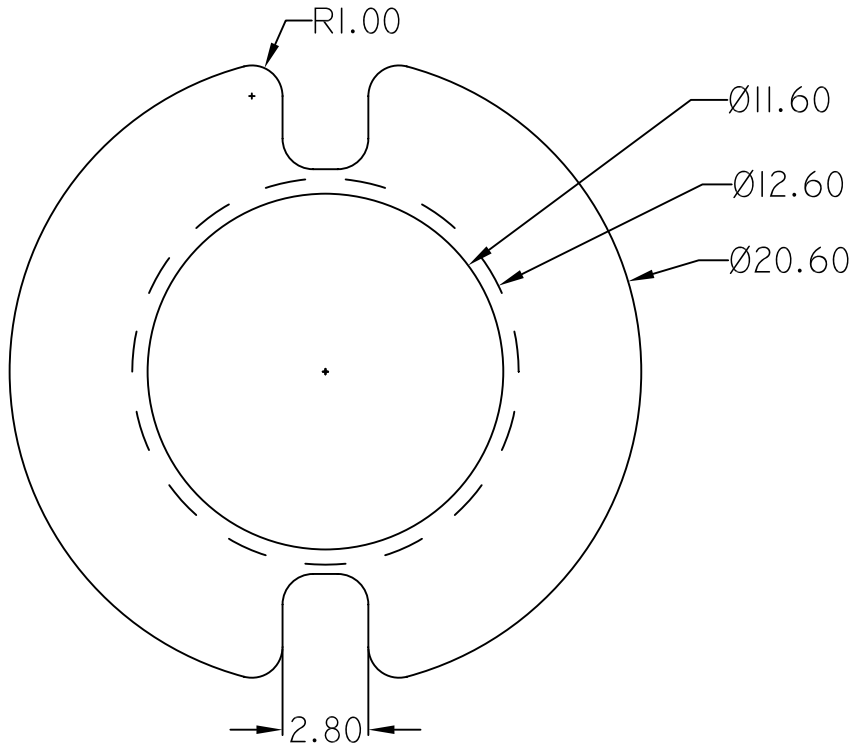
5

6

7

8

9



COMPONENT WEIGHT - 0.8 GMS

**NOTE:**

- (1) All dimensions are in mm.  
 (2) Tolerance for all dimension is ( $\pm 0.2$ )  
 (3) Molding Material:  
**(a) Deralin**



DURGA ELECTRONICS(INDIA)

COMPONENT NAME: BOBBIN

PART NO: PC-26X16

REMARKS:

REV.  
00

	NAME	SIGN.	DATE
DESIGN BY	SACHIDANAND	<i>Sachidanand</i>	12.12.02
CHECKED BY	MANOJ GUPTA		12.12.02
APPR. BY	MANOJ GUPTA		12.12.02

SCALE: NTS DRG. NO: DEI/DRG/0151

PATH  
↓

D:\DURGA\POT CORE\PC-26X16