

A

B

C

D

REVISIONS

ZONE	REV.	DESCRIPTION	DATE	APPD.

1

2

3

4

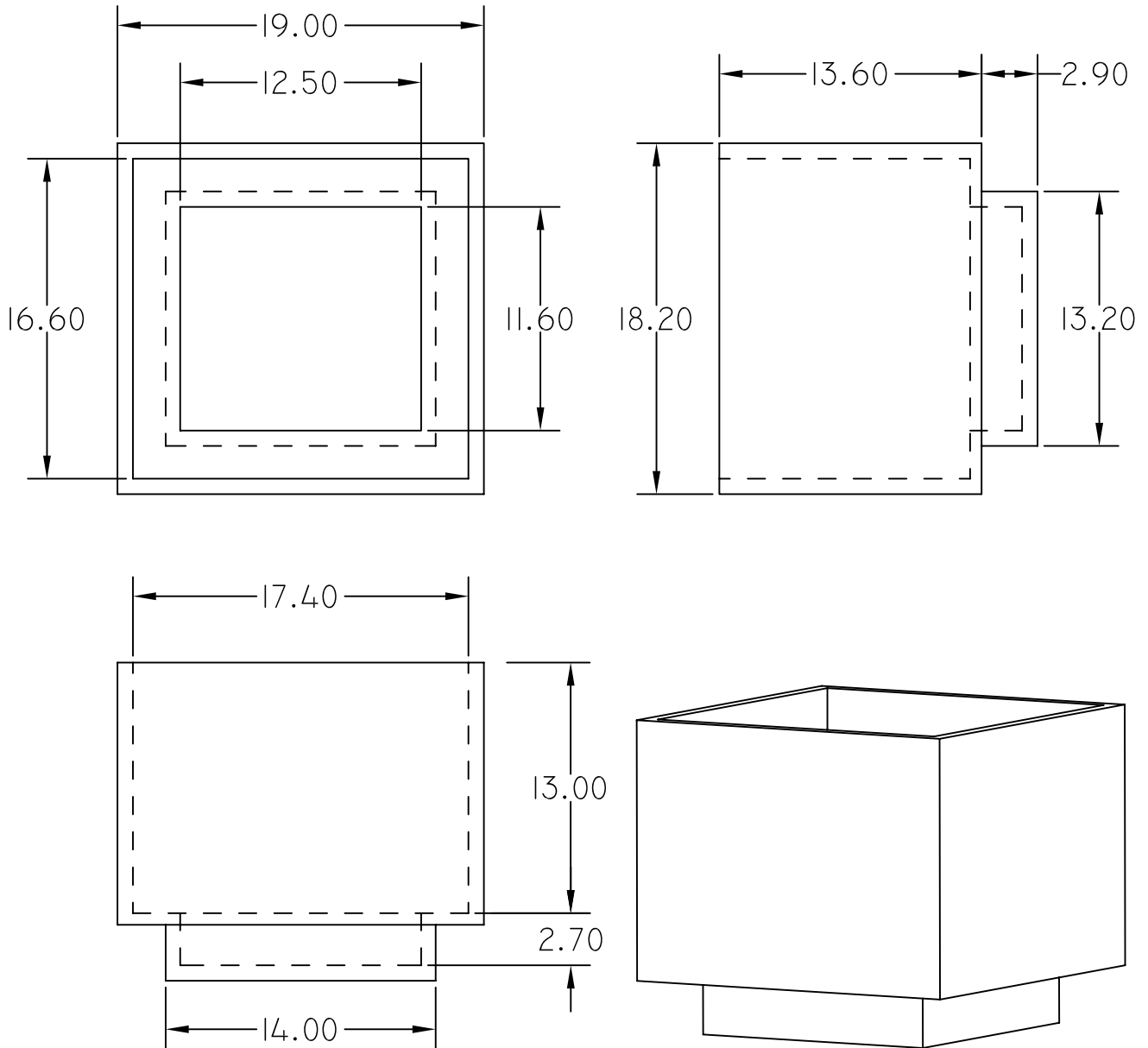
5

6

7

8

9



COMPONENT WEIGHT - 1.7 GMS

NOTE:
 (1) All dimensions are in mm.
 (2) Tolerance for all dimension is (± 0.2)
 (3) Molding Material:
 (a) Zytel FR 50 BK 153J - UL & RoHS
 (b) Zytel 70G33L BK 031 - Non UL.
 (c) Zytel 70G33L NC 010 - Non UL
 (d) Ultramid A3X2G5 - UL & RoHS



DURGA ELECTRONICS(INDIA)

COMPONENT NAME: POTTING SHELL

PART NO: EE 16

REMARKS:

REV.
00

	NAME	SIGN.	DATE
DESIGN BY	SACHIDANAND	<i>Sachidanand</i>	16.01.03
CHECKED BY	MANOJ GUPTA		16.01.03
APPR. BY	MANOJ GUPTA		16.01.03

SCALE: NTS DRG. NO: DEI/DRG/0233

PATH
↓

D:\DURGA\POTTING SHELL\POTTING SHELL EEI6 TYPE I