

A

B

C

D

REVISIONS

ZONE	REV.	DESCRIPTION	DATE	APPD.

1

2

3

4

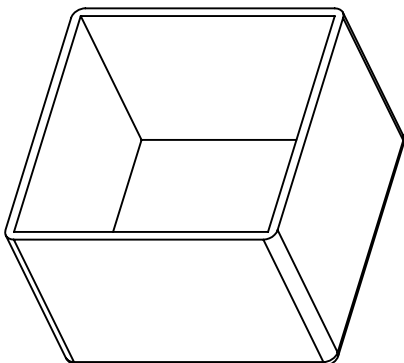
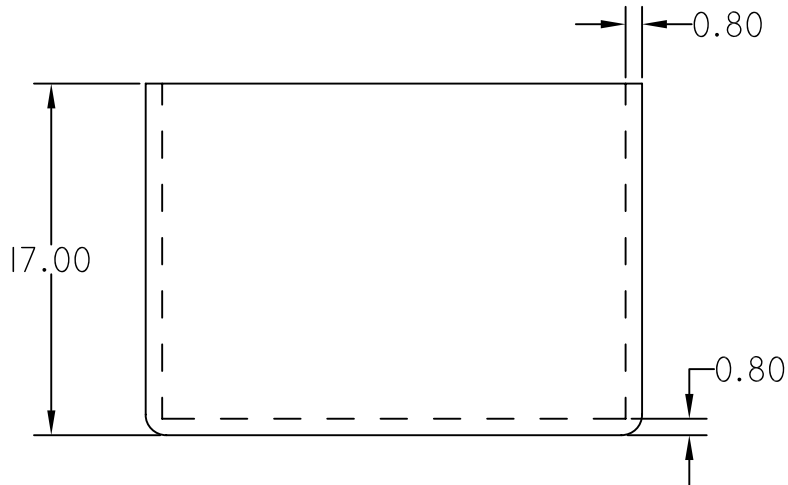
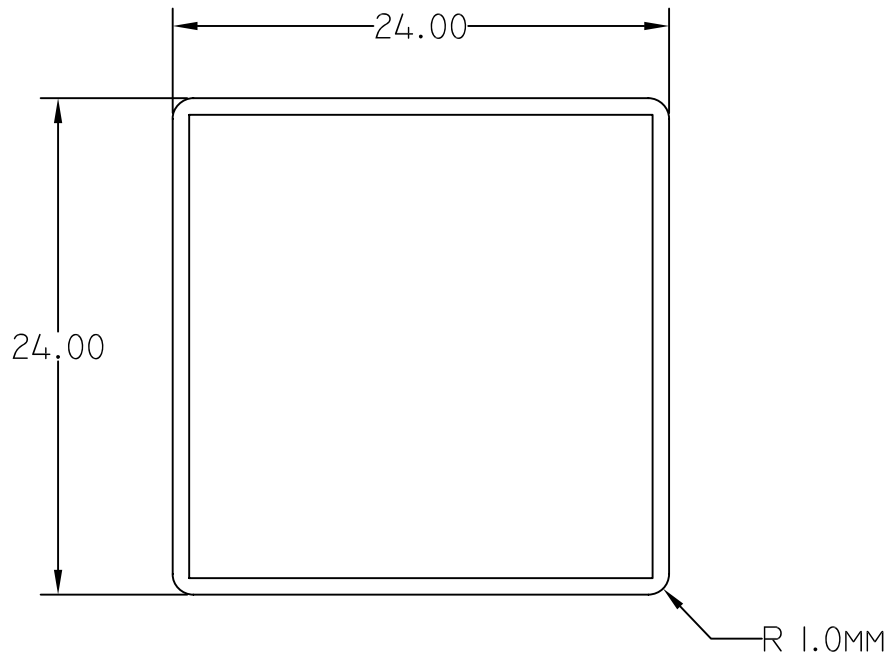
5

6

7

8

9



COMPONENT WEIGHT - 2.7 GMS

NOTE:

- (1) All dimensions are in mm.
- (2) Tolerance for all dimension is (± 0.2)
- (3) Molding Material:
 - (a) Zytel FR 50 BK 153J - UL & RoHS
 - (b) Zytel 70G33L BK 031 - Non UL
 - (c) Zytel 70G33L NC 010 - Non UL
 - (d) Ultramid A3X2G5 - UL & RoHS



DURGA ELECTRONICS(INDIA)

COMPONENT NAME: POTTING SHELL

PART NO: EE 2005

	NAME	SIGN.	DATE	REMARKS:	REV.
DESIGN BY	SACHIDANAND	<i>Sachidanand</i>	20.12.04		00
CHECKED BY	MANOJ GUPTA		20.12.04		
APPR. BY	MANOJ GUPTA		20.12.04		
SCALE: NTS				DRG. NO: DEI/DRG/0278	PATH

D:\DURGA\POTTING SHELL\POTTING SHELL EE2005 TYPE 2