

A

B

C

D

REVISIONS

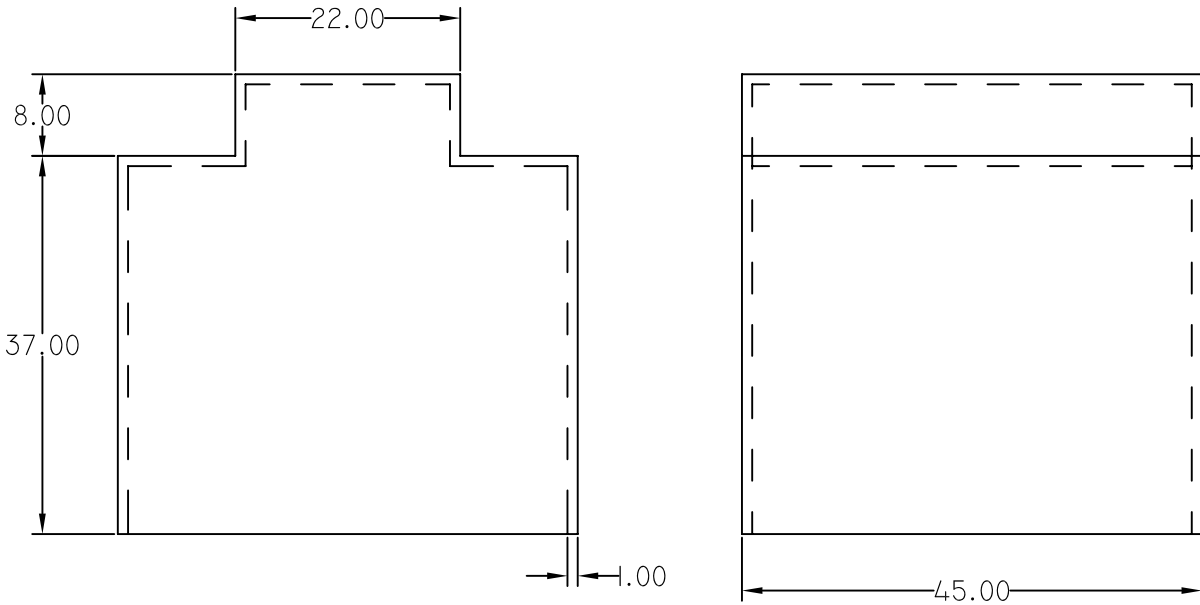
ZONE	REV.	DESCRIPTION	DATE	APPD.

1

2

3

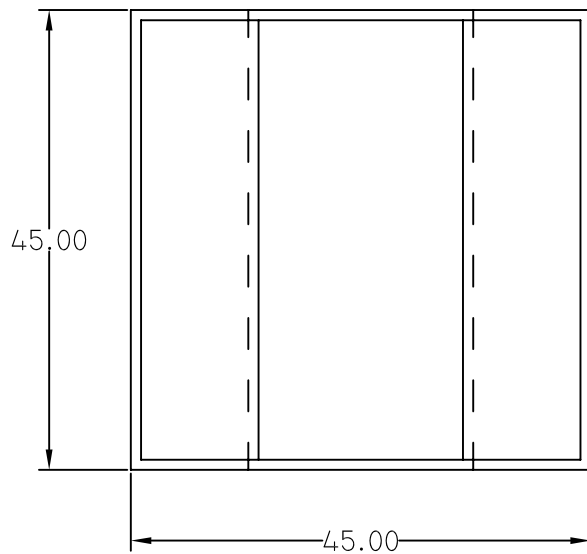
4



5

6

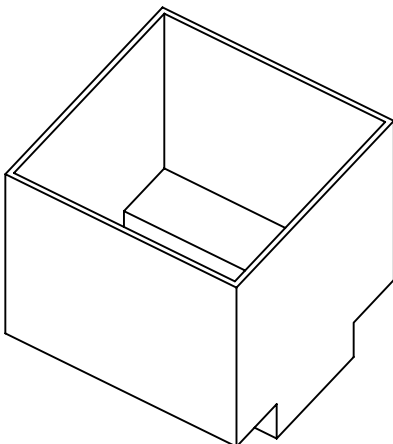
7



8

COMPONENT WEIGHT - 13.3 GMS

9



NOTE:

- (1) All dimensions are in mm.
 (2) Tolerance for all dimension is (± 0.2)
 (3) Molding Material:
 (a) Zytel FR 50 BK 153J - UL & RoHS
 (b) Zytel 70G33L BK 031 - Non UL.
 (c) Zytel 70G33L NC 010 - Non UL
 (d) Ultramid A3X2G5 - UL & RoHS



DURGA ELECTRONICS (INDIA)

COMPONENT NAME: POTTING SHELL

PART NO: EE 4220

	NAME	SIGN.	DATE	REMARKS:	REV.
DESIGN BY	SACHIDANAND	<i>Sachidanand</i>	16.12.04		00
CHECKED BY	MANOJ GUPTA		16.12.04		
APPR. BY	MANOJ GUPTA		16.12.04		
SCALE: NTS				DRG.NO: DEI/DRG/0276	PATH

D:\DURGA\POTTING SHELL\POTTING SHELL EE4220