

A

B

C

D

REVISIONS

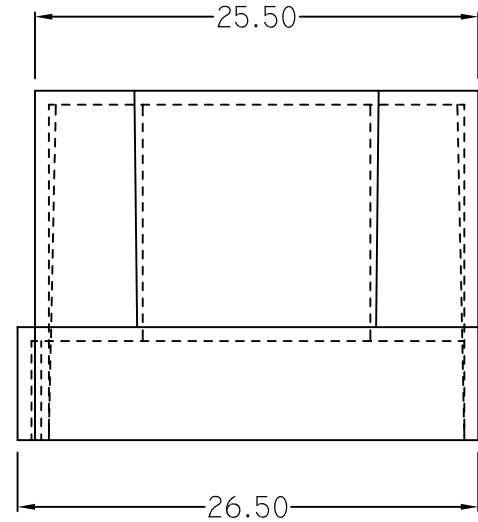
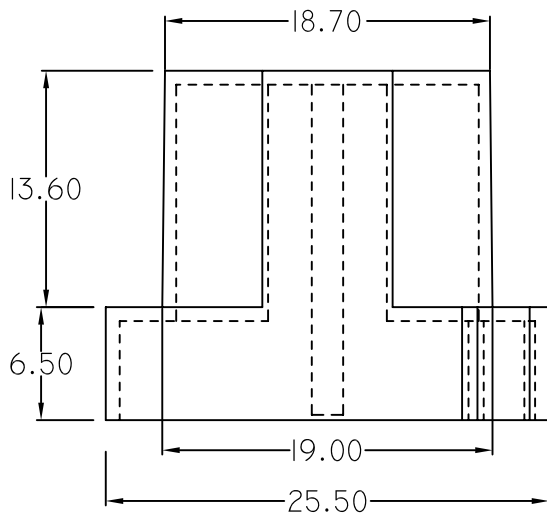
ZONE	REV.	DESCRIPTION	DATE	APPD.

1

2

3

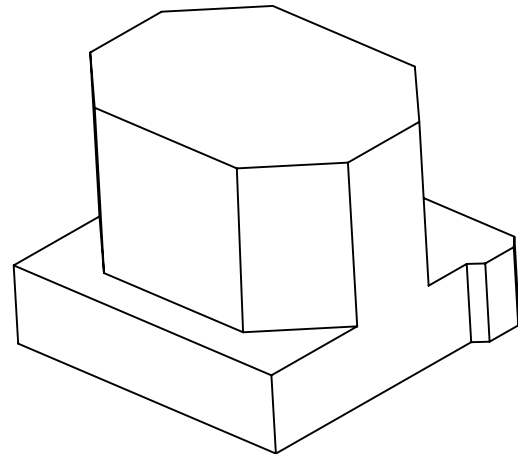
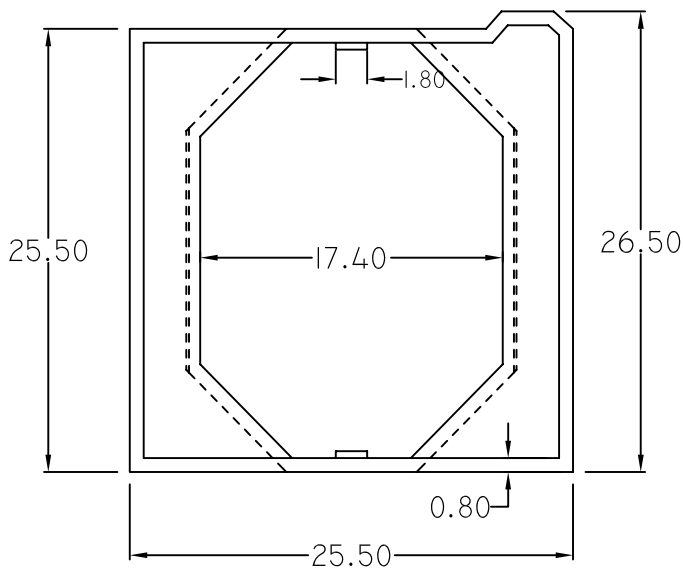
4



5

6

7



8

COMPONENT WEIGHT - 2.7 GMS

9

NOTE:  
 (1) All dimensions are in mm.  
 (2) Tolerance for all dimension is  $(\pm 0.2)$   
 (3) Molding Material:  
 (a) Zytel FR 50 BK 153J - UL & RoHS  
 (b) Zytel 70G33L BK 031 - Non UL.  
 (c) Zytel 70G33L NC 010 - Non UL  
 (d) Ultramid A3X2G5 - UL & RoHS



DURGA ELECTRONICS(INDIA)

COMPONENT NAME: POTTING SHELL

PART NO: RM8

REMARKS:

REV.  
00DESIGN BY SACHIDANAND *Sachidanand* 26.11.02

CHECKED BY MANOJ GUPTA 26.11.02

APPR. BY MANOJ GUPTA

SCALE: NTS DRG. NO: DEI/DRG/0239

PATH  
↓

D:\DURGA\RM SERIES\RM8 POTTING CUP