

A

B

C

D

## REVISIONS

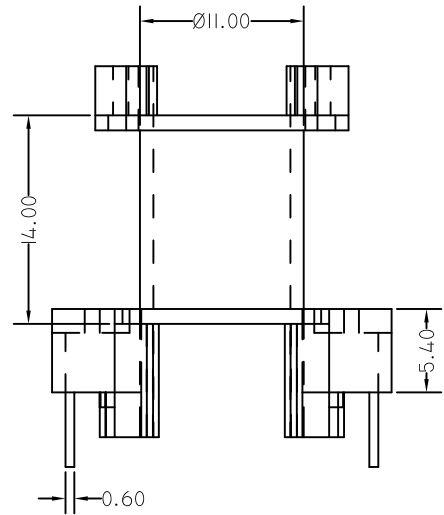
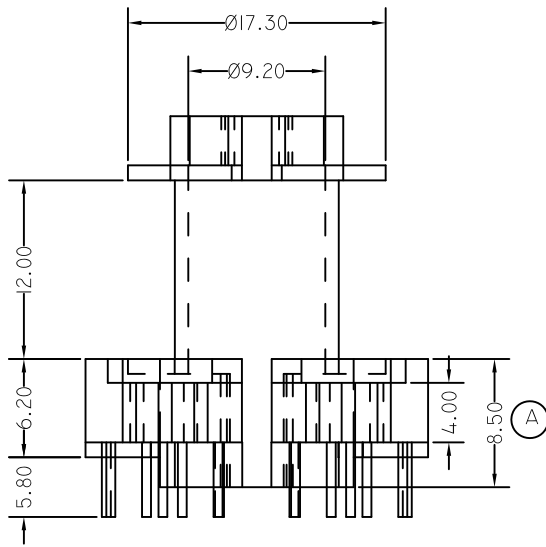
ZONE	REV.	DESCRIPTION	DATE	APPD.
A	01	DIMN. 8.50 ADDED	19-01-11	MANOJ

1

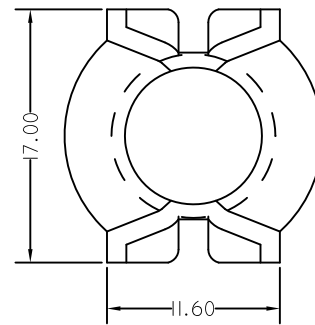
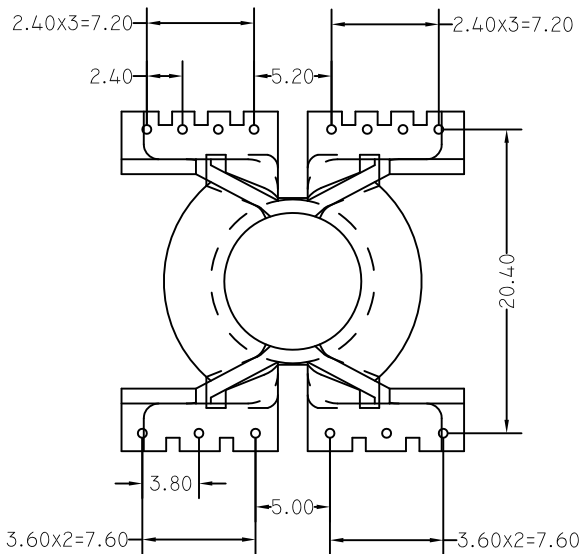
2

3

4



5

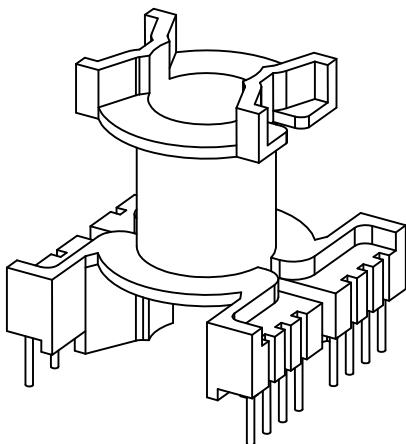


7

8

COMPONENT WEIGHT : 3.0 GMS

9



NOTE:  
 (1) All dimensions are in mm.  
 (2) Tolerance for all dimension is  $\pm 0.2$   
 (3) Molding Material:  
 (a) Zytel FR 50 BK 153J - UL & RoHS  
 (b) Zytel 70G33L BK 031 - Non UL  
 (c) Zytel 70G33L NG 010 - Non UL  
 (d) Rynite FR530L BK507 - UL & RoHS  
 (e) Ultramid A3X2G5 - UL & RoHS  
 (5) Pin Material: C.C.S Wire with Tin (Sn) Plated



DURGA ELECTRONICS (INDIA)

COMPONENT NAME: BOBBIN

PART NO: PQ2020 VER. 14PIN

REMARKS:

REV.  
01

	NAME	SIGN.	DATE
DESIGN BY	SACHIDANAND	<i>Sachidanand</i>	24.07.04
CHECKED BY	MANOJ GUPTA		24.07.04
APPR. BY	MANOJ GUPTA		24.07.04

SCALE: NTS

DRG.NO: DEI/DRG/0268

PATH  
↓

D:\DURGA\PQ SERIES\2020 VERTICAL 14PIN