

A

B

C

D

REVISIONS

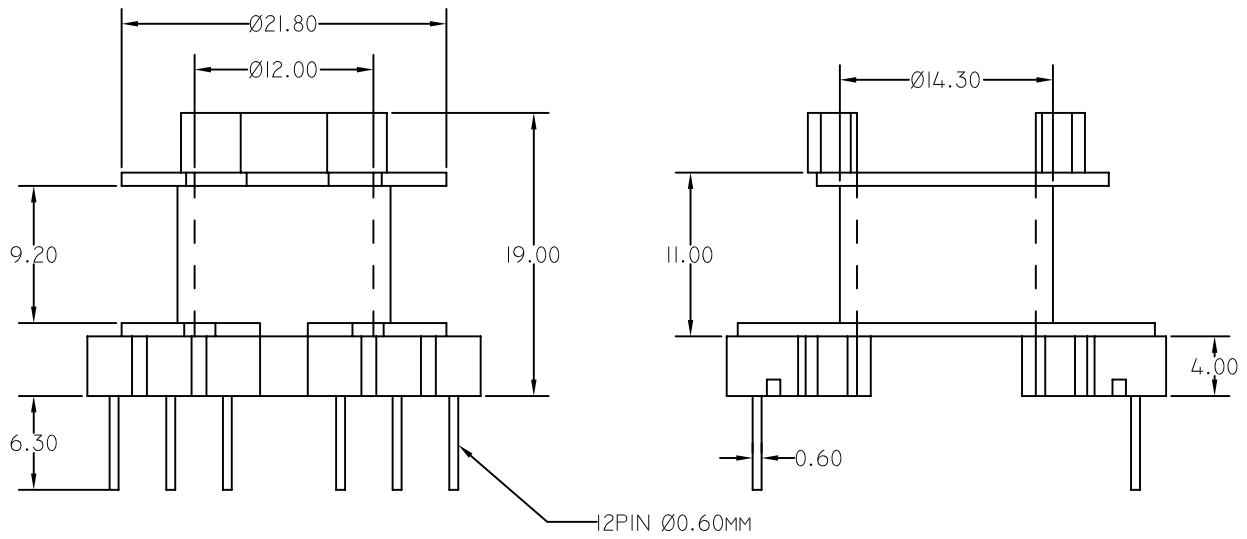
ZONE	REV.	DESCRIPTION	DATE	APPD.

1

2

3

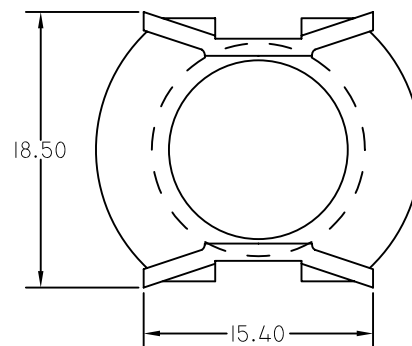
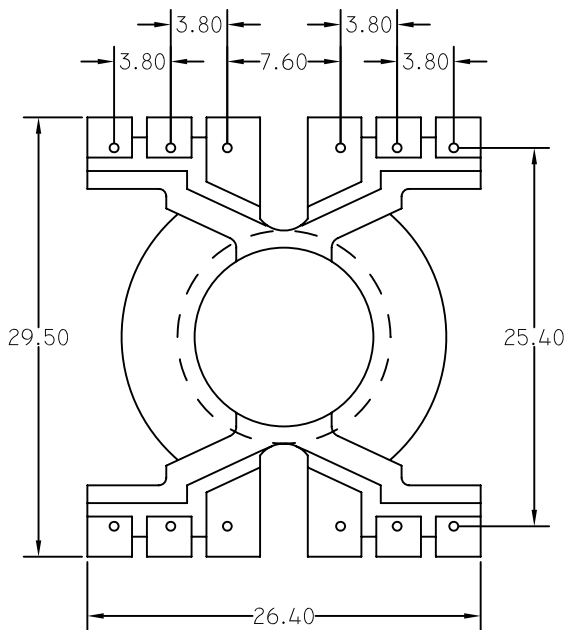
4



5

6

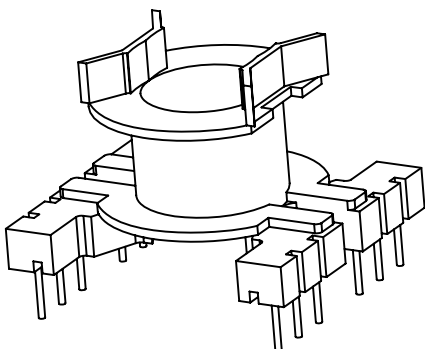
7



8

COMPONENT WEIGHT : 3.5 GMS

9



NOTE:
 (1) All dimensions are in mm.
 (2) Tolerance for all dimension is (±0.2)
 (3) Molding Material:
 (a) Zytel FR 50 BK 153J - UL & RoHS
 (b) Zytel 70G33L BK 031 - Non UL
 (c) Zytel 70G33L NC 010 - Non UL
 (d) Rynite FR530L BK507 - UL & RoHS
 (e) Ultramid A3X2G5 - UL & RoHS
 (5) Pin Material: C.C.S Wire with Tin (Sn) Plated



DURGA ELECTRONICS (INDIA)

COMPONENT NAME: BOBBIN

PART NO: PQ2620 VER. 12PIN

REMARKS:

REV.
00

	NAME	SIGN.	DATE
DESIGN BY	SACHIDANAND	<i>Sachidanand</i>	23.07.04
CHECKED BY	MANOJ GUPTA		23.07.04
APPR. BY	MANOJ GUPTA		23.07.04

SCALE: NTS

DRG.NO: DEI/DRG/0266

PATH



D:\DURGA\PQ SERIES\2620 VERTICAL 12PIN