

A

B

C

D

REVISIONS

ZONE	REV.	DESCRIPTION	DATE	APPD.
------	------	-------------	------	-------

1

2

3

4

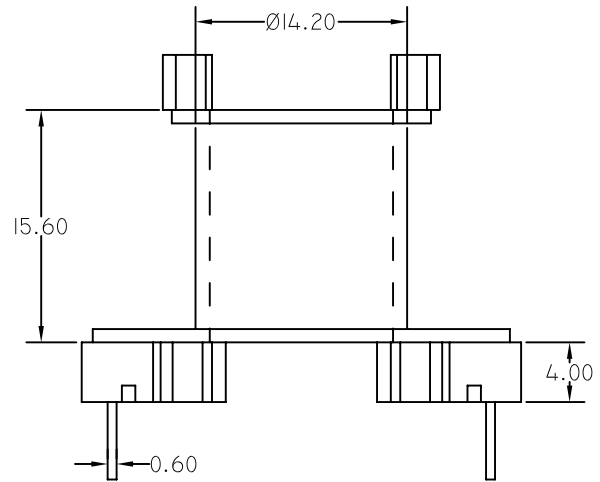
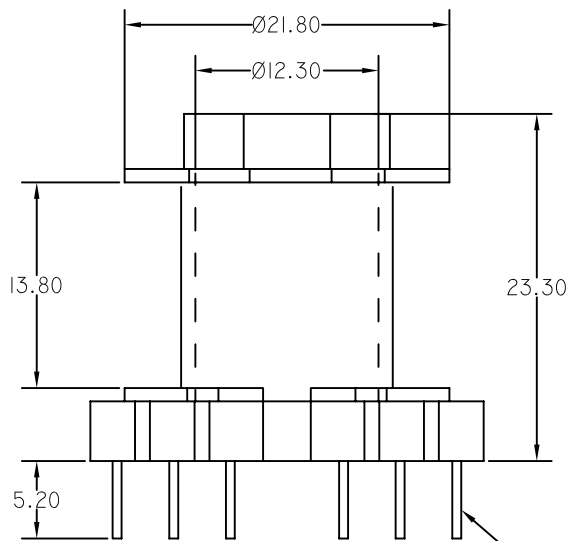
5

6

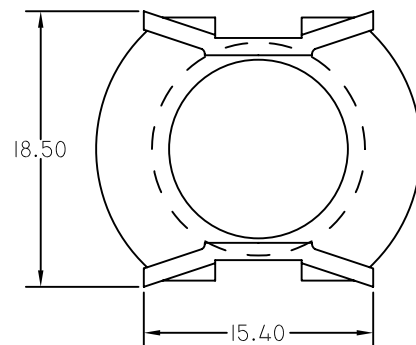
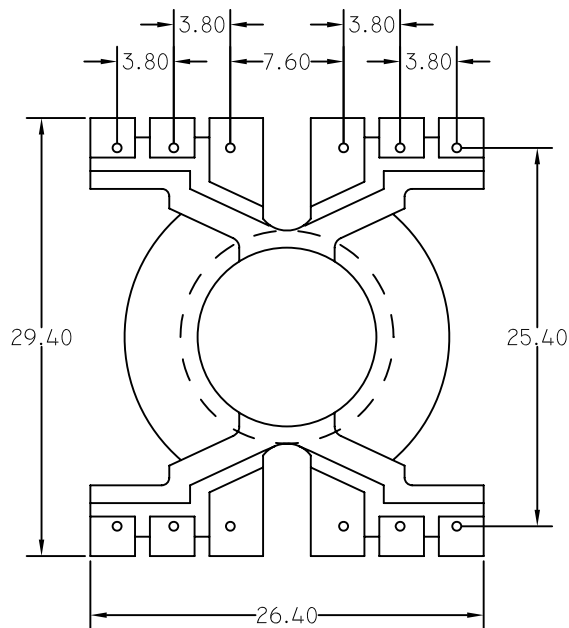
7

8

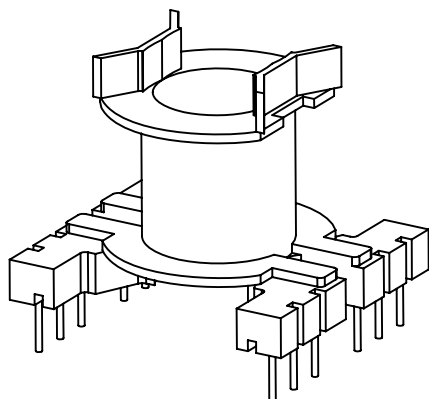
9



12PIN Ø0.60MM



COMPONENT WEIGHT : 4.0 GMS



NOTE:

- (1) All dimensions are in mm.
- (2) Tolerance for all dimension is ± 0.2
- (3) Molding Material:
 - (a) Zytel FR 50 BK 153J - UL & RoHS
 - (b) Zytel 70G33L BK 031 - Non UL.
 - (c) Zytel 70G33L NC 010 - Non UL
 - (d) Ryrite FR530L BK507 - UL & RoHS
 - (e) Ultramid A3X2G5 - UL & RoHS
- (5) Pin Material: C.C.S Wire with Tin (Sn) Plated



DURGA ELECTRONICS (INDIA)

COMPONENT NAME: BOBBIN

PART NO: PQ2625 VER. 12PIN

REMARKS:

REV.
00

	NAME	SIGN.	DATE
DESIGN BY	SACHIDANAND	<i>Sachidanand</i>	23.07.04
CHECKED BY	MANOJ GUPTA		23.07.04
APPR. BY	MANOJ GUPTA		23.07.04

SCALE: NTS

DRG.NO: DEI/DRG/0267

PATH



D:\DURGA\PQ SERIES\2625 VERTICAL 12PIN