

A

B

C

D

REVISIONS

ZONE | REV. |

DESCRIPTION

DATE

APPD.

1

2

3

4

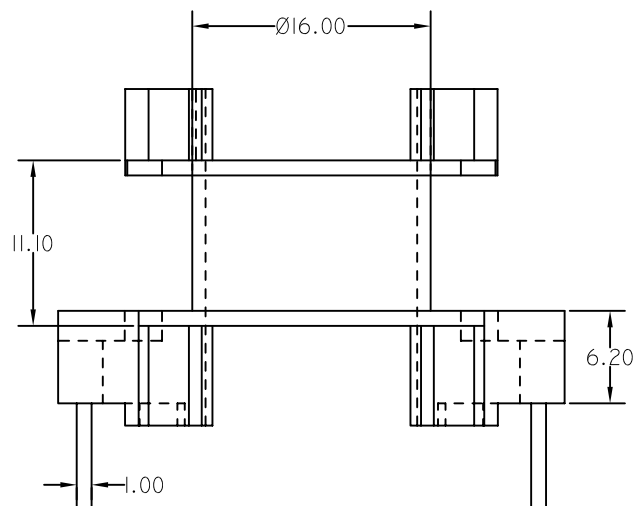
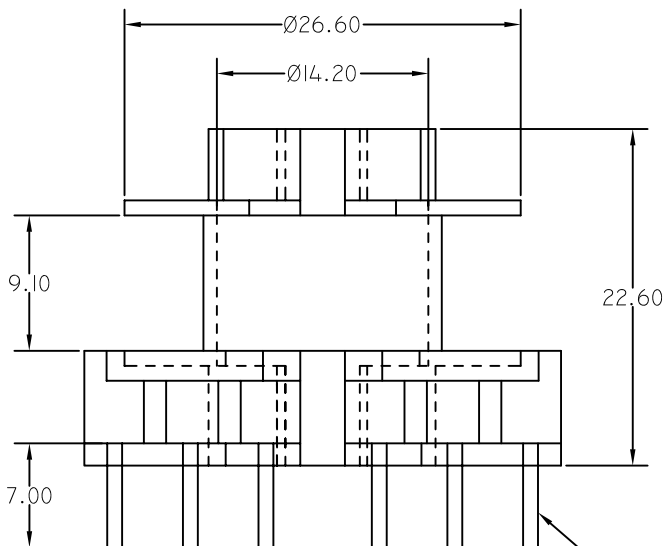
5

6

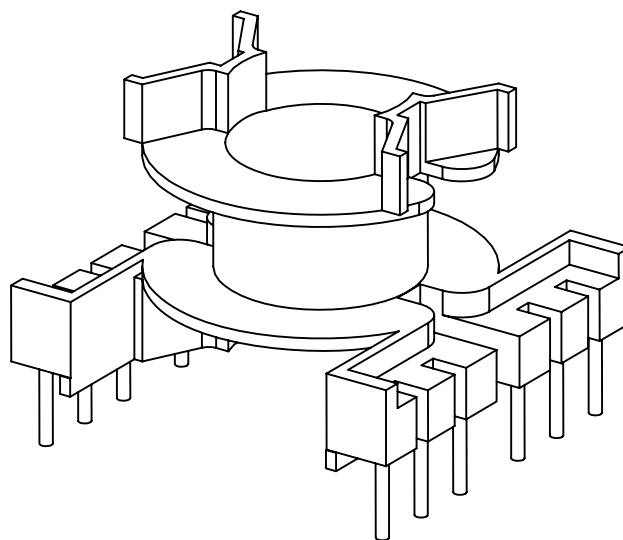
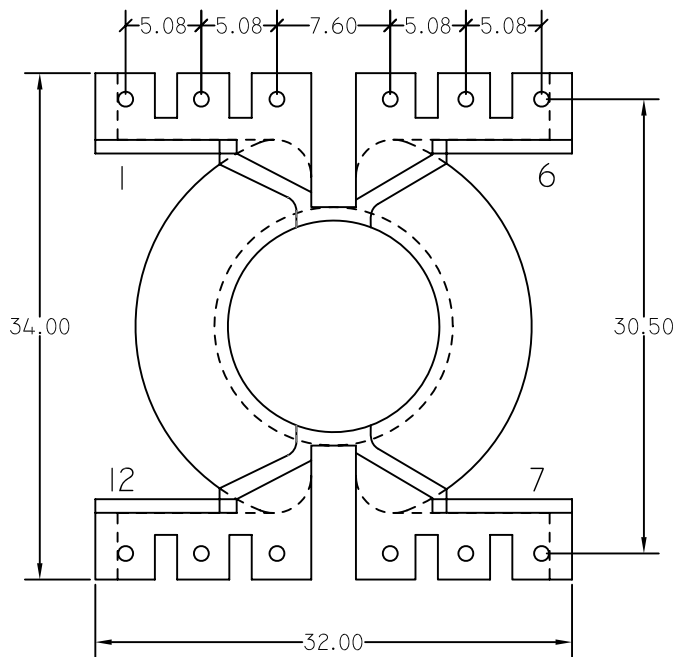
7

8

9



12PIN Ø1.00MM



COMPONENT WEIGHT : 6.0 GMS

NOTE:

(1) All dimensions are in mm.

(2) Tolerance for all dimension is  $\pm 0.2$ 

(3) Molding Material:

(a) Zytel FR 50 BK 153J - UL &amp; RoHS

(b) Zytel 70G33L BK 031 - Non UL.

(c) Zytel 70G33L NC 010 - Non UL

(d) Ryntec FR30L BK507 - UL &amp; RoHS

(e) Ultradid A3X2G5 - UL &amp; RoHS

(5) Pin Material: C.C.S Wire with Tin (Sn) Plated



DURGA ELECTRONICS (INDIA)

COMPONENT NAME: BOBBIN

PART NO: PQ3220 VER. 12PIN

REMARKS:

REV.  
00

	NAME	SIGN.	DATE
DESIGN BY	SACHIDANAND	<i>Sachidanand</i>	31.01.03
CHECKED BY	MANOJ GUPTA		31.01.03
APPR. BY	MANOJ GUPTA		31.01.03

SCALE: NTS

DRG.NO: DEI/DRG/0155

PATH



D:\DURGA\PQ SERIES\3220 VERTICAL 12PIN