

A

B

C

D

REVISIONS

ZONE REV.

DESCRIPTION

DATE

APPD.

1

2

3

4

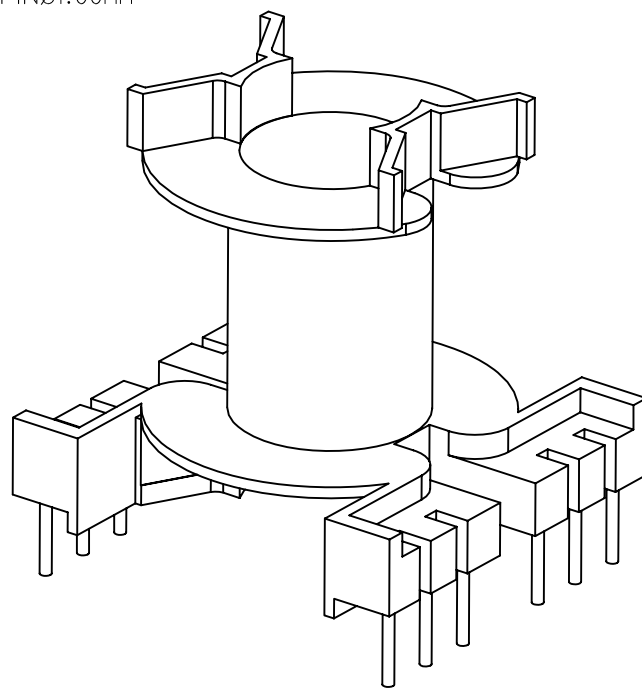
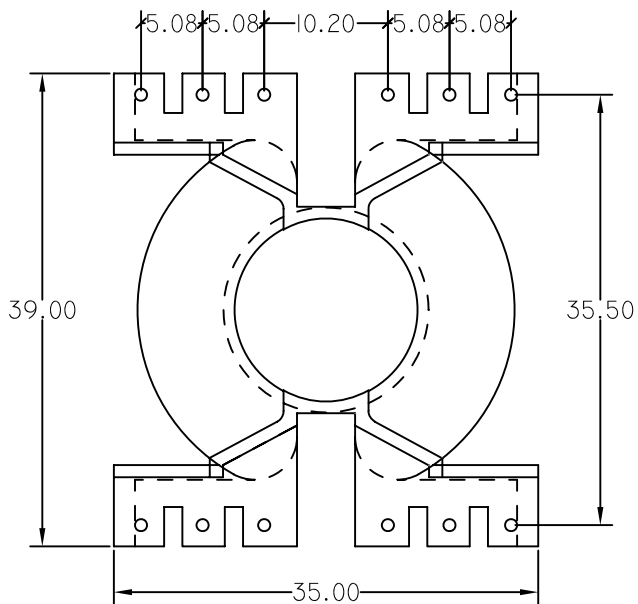
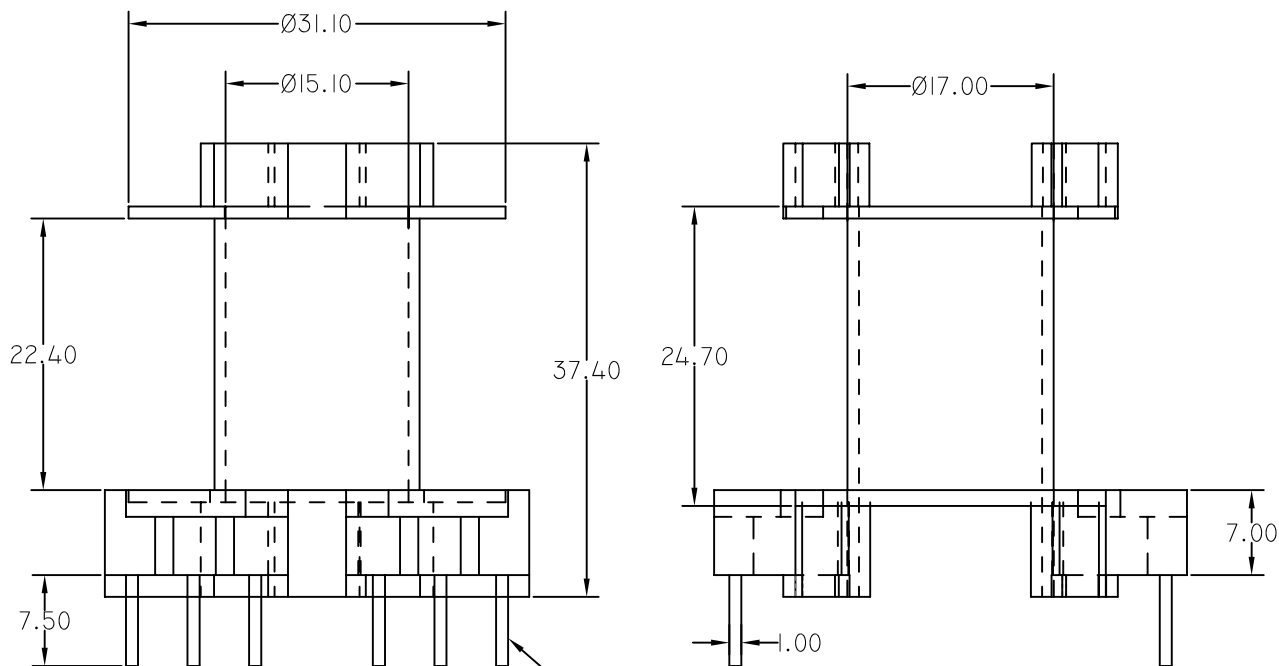
5

6

7

8

9



COMPONENT WEIGHT : 9.0 GMS

NOTE:

- (1) All dimensions are in mm.
- (2) Tolerance for all dimension is (± 0.2)
- (3) Molding Material:
 - (a) Zytel FR 50 BK 153J - UL & RoHS
 - (b) Zytel 70G33L BK 031 - Non UL
 - (c) Zytel 70G33L NC 010 - Non UL
 - (d) Rynite FR530L BK507 - UL & RoHS
 - (e) Ultramid A3X2G5 - UL & RoHS
- (5) Pin Material: C.C.S Wire with Tin (Sn) Plated



DURGA ELECTRONICS (INDIA)

COMPONENT NAME: BOBBIN

PART NO: PQ3535 VER. 12PIN

REMARKS:

REV.
00

	NAME	SIGN.	DATE
DESIGN BY	SACHIDANAND	<i>Sachidanand</i>	31.01.03
CHECKED BY	MANOJ GUPTA		31.01.03
APPR. BY	MANOJ GUPTA		31.01.03

SCALE: NTS

DRG.NO: DEI/DRG/0157

PATH



D:\DURGA\PQ SERIES\PQ3535 VERTICAL 12PIN