

A

B

C

D

REVISIONS

ZONE

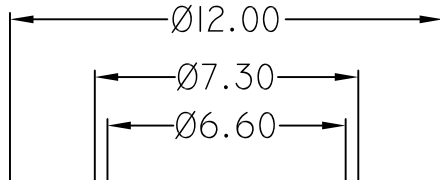
REV.

DESCRIPTION

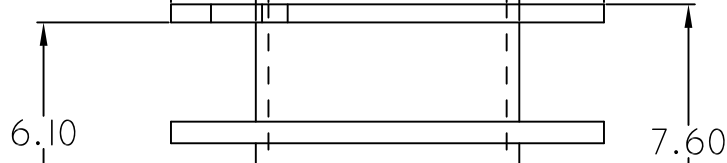
DATE

APPD.

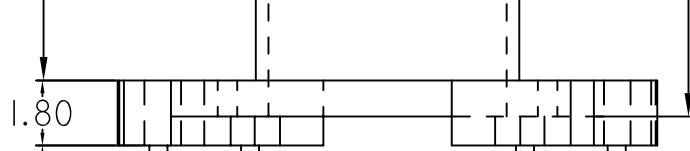
1



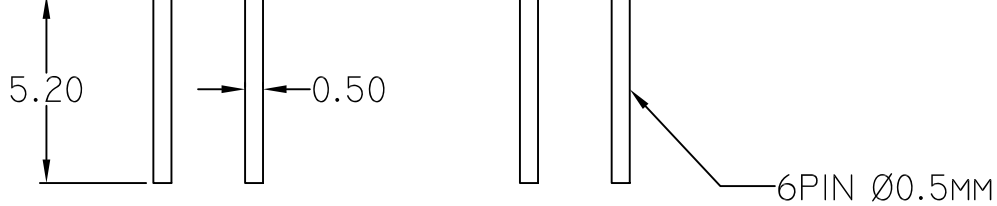
2



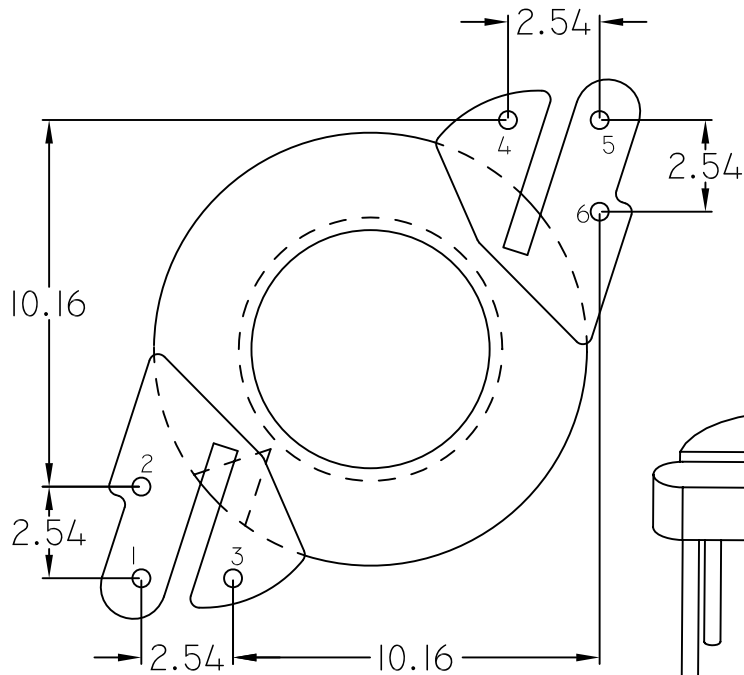
3



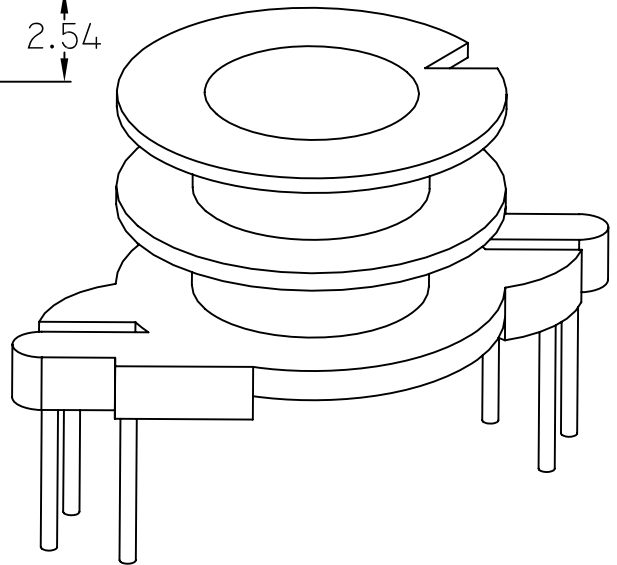
4



5



6



7

8

COMPONENT WEIGHT : 0.6 GMS

9

NOTE:  
 (1) All dimensions are in mm.  
 (2) Tolerance for all dimension is  $\pm 0.2$   
 (3) Molding Material:  
 (a) Zytel FR 50 BK 153J - UL & RoHS  
 (b) Zytel 70G33L BK 031 - Non UL  
 (c) Zytel 70G33L NC 010 - Non UL  
 (d) Rynite FR530L BK507 - UL & RoHS  
 (e) Ultramid A3X2G5 - UL & RoHS  
 (5) Pin Material: C.C.S Wire with Tin (Sn) Plated



DURGA ELECTRONICS(INDIA)

COMPONENT NAME: BOBBIN

PART NO: RM6 VER. 6PIN 2-S

REMARKS:

REV.  
00

	NAME	SIGN.	DATE
DESIGN BY	SACHIDANAND	<i>Sachidanand</i>	19.12.02
CHECKED BY	MANOJ GUPTA		19.12.02
APPR. BY	MANOJ GUPTA		19.12.02

SCALE: NTS DRG. NO: DEI/DRG/0188

PATH  
↓

D:\DURGA\RM SERIES\RM6 VERTICAL 6PIN 2-S