

A

B

C

D

REVISIONS

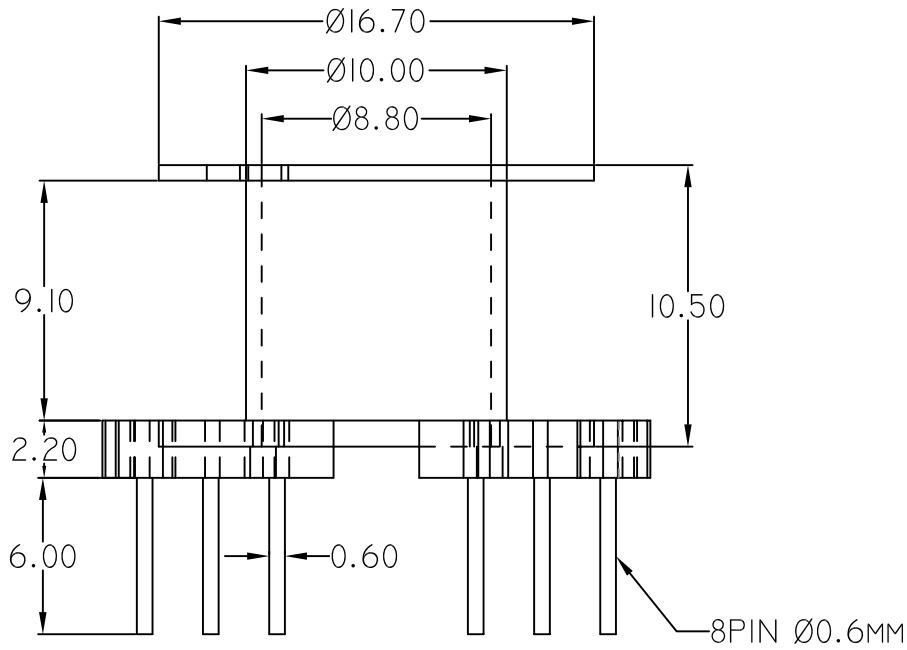
ZONE	REV.	DESCRIPTION	DATE	APPD.

1

2

3

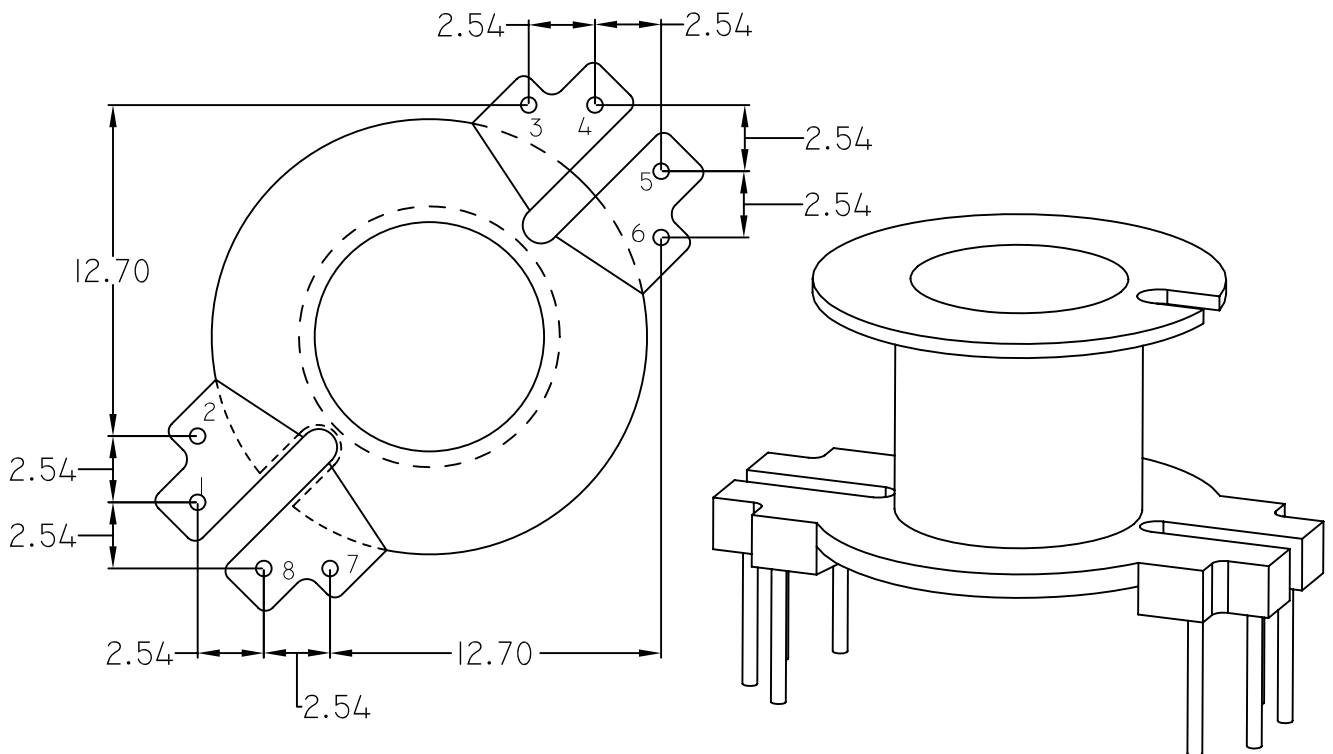
4



5

6

7



8

COMPONENT WEIGHT : 1.0 GMS

9

NOTE:  
 (1) All dimensions are in mm.  
 (2) Tolerance for all dimension is  $(\pm 0.2)$   
 (3) Molding Material:  
 (a) Zytel FR 50 BK 153J - UL & RoHS  
 (b) Zytel 70G33L BK 031 - Non UL  
 (c) Zytel 70G33L NG 010 - Non UL  
 (d) Ryrite FR530L BK507 - UL & RoHS  
 (e) Ulramid A3X2G5 - UL & RoHS  
 (5) Pin Material: C.C.S Wire with TIn (Sn) Plated



DURGA ELECTRONICS(INDIA)

COMPONENT NAME: BOBBIN

PART NO: RM8 VER. 8PIN

REMARKS:

REV.  
00

	NAME	SIGN.	DATE
DESIGN BY	SACHIDANAND	<i>Sachidanand</i>	19.12.02
CHECKED BY	MANOJ GUPTA		19.12.02
APPR. BY	MANOJ GUPTA		19.12.02

SCALE: NTS DRG. NO: DEI/DRG/0196

PATH  
↓

D:\DURGA\RM SERIES\RM8 VERTICAL 8PIN