

A

B

C

D

REVISIONS

ZONE

REV.

DESCRIPTION

DATE

APPD.

1

2

3

4

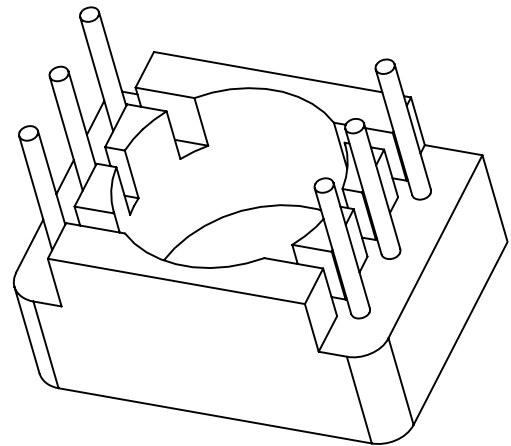
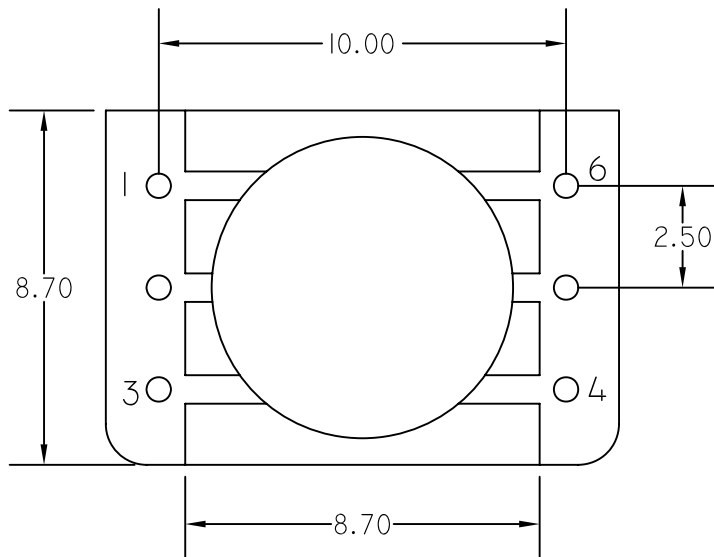
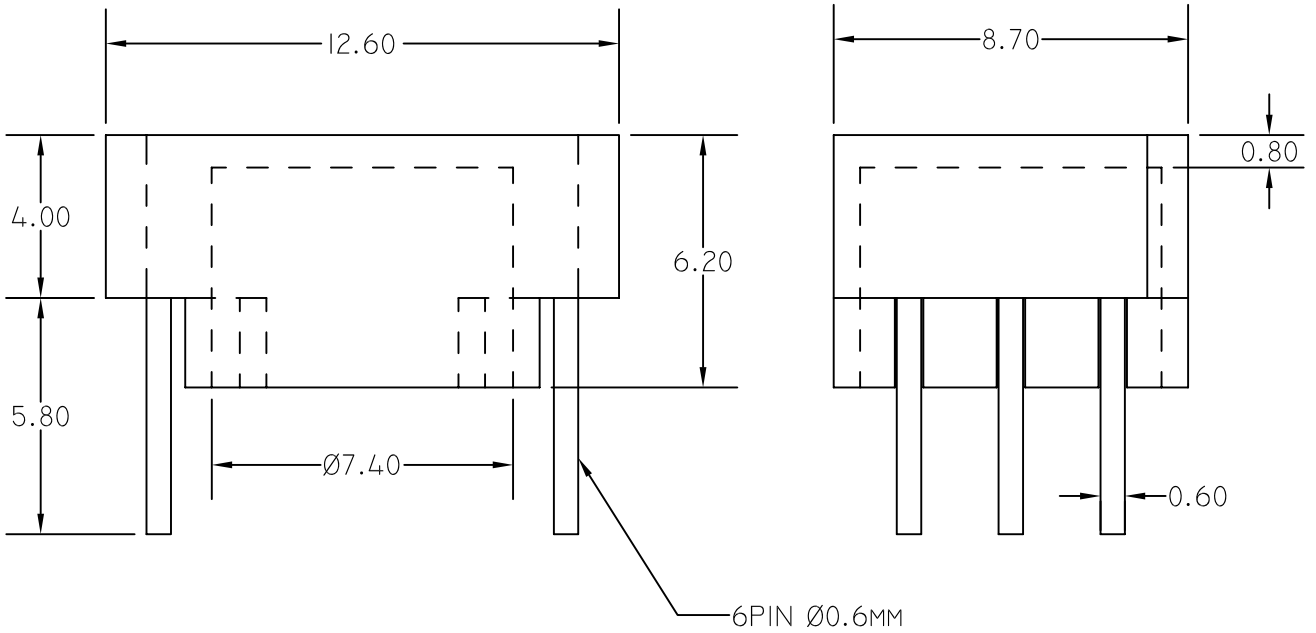
5

6

7

8

9



COMPONENT WEIGHT - 1.0 GMS

NOTE:
 (1) All dimensions are in mm.
 (2) Tolerance for all dimension is ± 0.2
 (3) Molding Material:
 (a) Zytel FR 50 BK 153J - UL & RoHS
 (b) Zytel 70G33L BK 031 - Non UL
 (c) Zytel 70G33L NC 010 - Non UL
 (d) Rynite FR530L BK507 - UL & RoHS
 (e) Ultrad A3X2G5 - UL & RoHS
 (5) Pin Material: C.C.S Wire with Tin (Sn) Plated



DURGA ELECTRONICS(INDIA)

COMPONENT NAME: TORRIED BASE

PART NO: T6 BASE 6PIN

NAME	SIGN.	DATE	REMARKS:	REV.
DESIGN BY	SACHIDANAND	20.01.03		00
CHECKED BY	MANOJ GUPTA	20.01.03		
APPR. BY	MANOJ GUPTA	20.01.03	SCALE: NTS	DRG. NO: DEI/DRG/0159

D:\DURGA\RING CORE INSULATING COVER \T6 BASE 6 PIN