

A

B

C

D

REVISIONS

ZONE	REV.	DESCRIPTION	DATE	APPD.

1

2

3

4

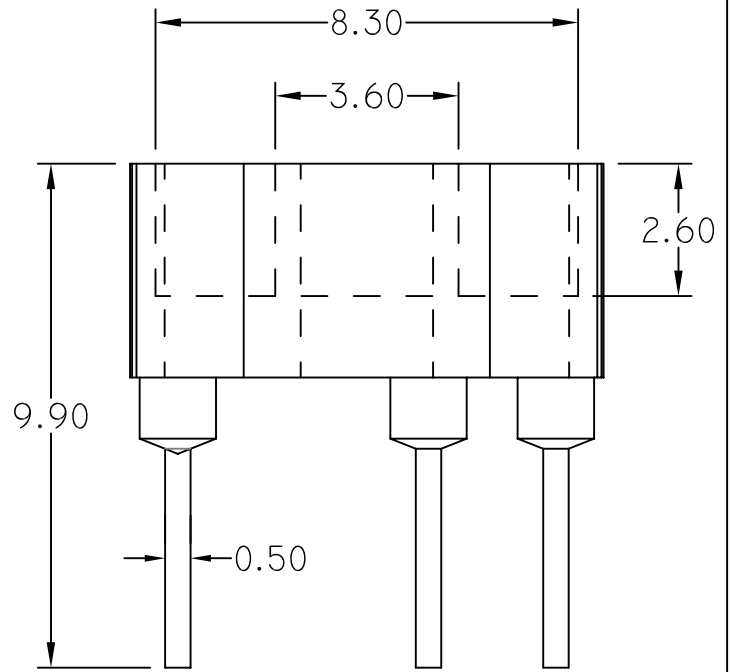
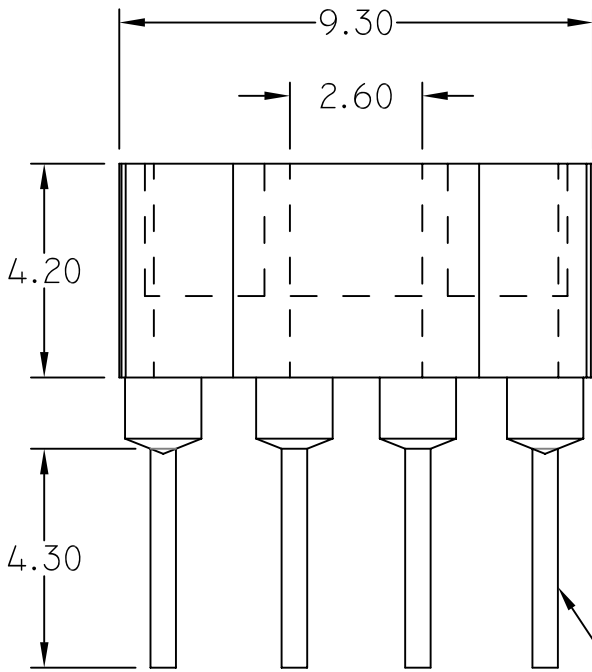
5

6

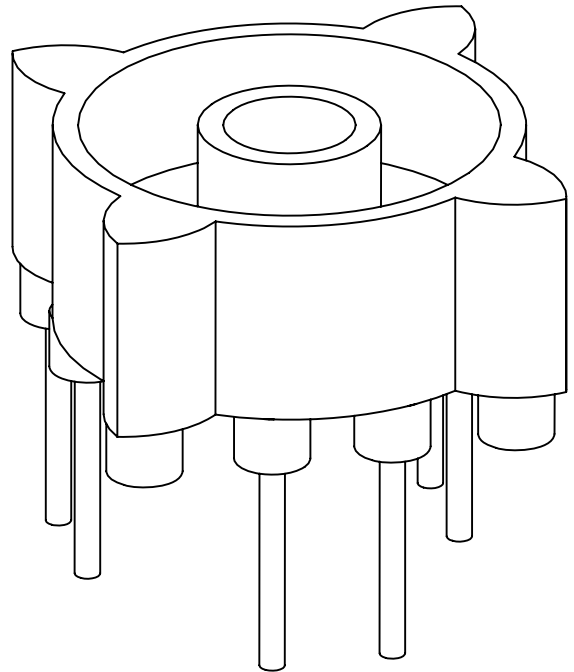
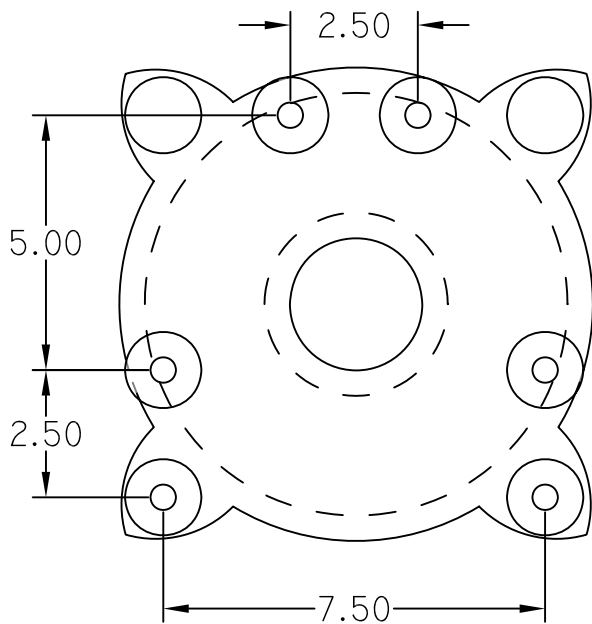
7

8

9



6PIN Ø0.5MM



COMPONENT WEIGHT - 0.5 GMS

NOTE:
 (1) All dimensions are in mm.
 (2) Tolerance for all dimension is ± 0.2
 (3) Molding Material:
 (a) Zytel FR 50 BK 153J - UL & RoHS
 (b) Zytel 70G33L BK 031 - Non UL
 (c) Zytel 70G33L NC 010 - Non UL
 (d) Ryrite FR530L BK037 - UL & RoHS
 (e) Ultradid A3X2G5 - UL & RoHS
 (5) Pin Material: C.C.S Wire with Tin (Sn) Plated



DURGA ELECTRONICS(INDIA)

COMPONENT NAME: TORRIED BASE

PART NO: T8 BASE 6PIN

NAME	SIGN.	DATE	REMARKS:	REV.
DESIGN BY	SACHIDANAND	24.02.03		00
CHECKED BY	MANOJ GUPTA	24.02.03		
APPR. BY	MANOJ GUPTA	24.02.03		
SCALE: NTS			DRG. NO: DEI/DRG/0158	PATH

D:\DURGA\RING CORE INSULATING COVER \T8 BASE 6 PIN