

A

B

C

D

REVISIONS

ZONE	REV.	DESCRIPTION	DATE	APPD.

1

2

3

4

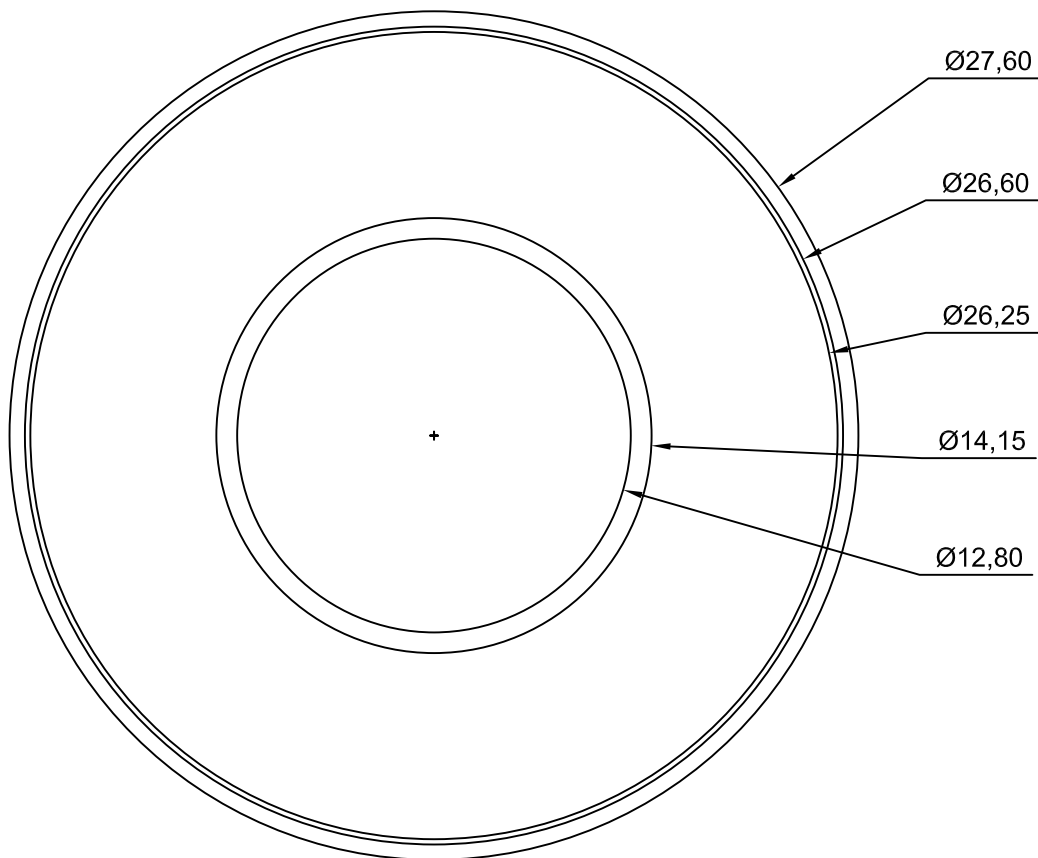
5

6

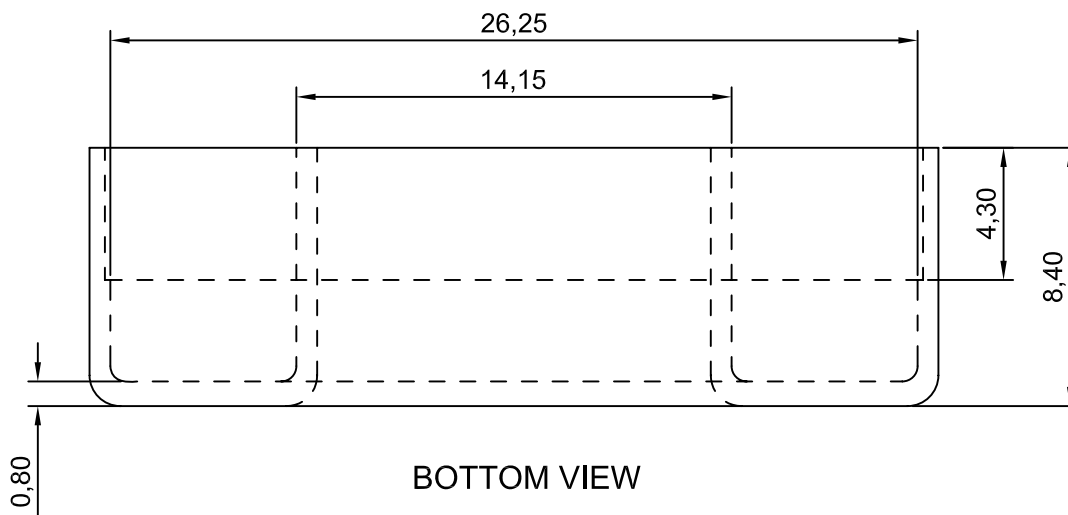
7

8

9

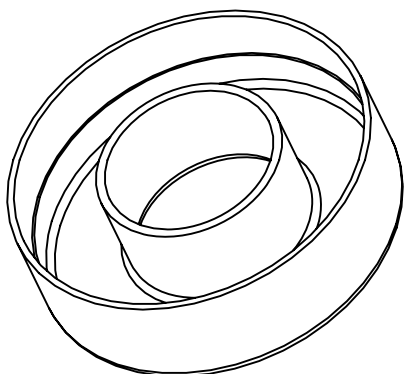


FRONT VIEW



BOTTOM VIEW

COMPONENT WEIGHT - 1.8 GMS



NOTE:

- (1) All dimensions are in mm.
 (2) Tolerance for all dimension is (± 0.2)
 (3) Molding Material:
 (a) Zytel FR 50 BK 153J - UL & RoHS
 (b) Zytel 70G33L BK 031 - Non UL.
 (c) Zytel 70G33L NC 010 - Non UL
 (d) Ultramid A3X2G5 - UL & RoHS



DURGA ELECTRONICS (INDIA)

COMPONENT NAME: TORRIED CAP

PART NO: T 2615

REMARKS:

REV.
00

	NAME	SIGN.	DATE
DESIGN BY	SACHIDANAND		21.04.04
CHECKED BY	MANOJ GUPTA		21.04.04
APPR. BY	MANOJ GUPTA		21.04.04

SCALE: 1:4

DRG.NO: DEI/DRG/0214

PATH
▼

D:\DURGA\IRING CORE INSULATING COVERIT 2615