

A

B

C

D

REVISIONS

ZONE	REV.	DESCRIPTION	DATE	APPD.

1

2

3

4

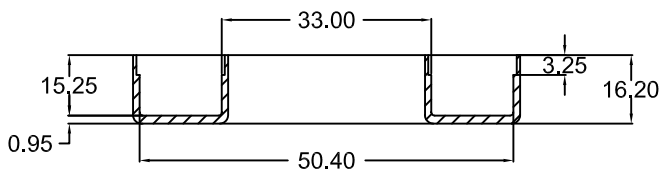
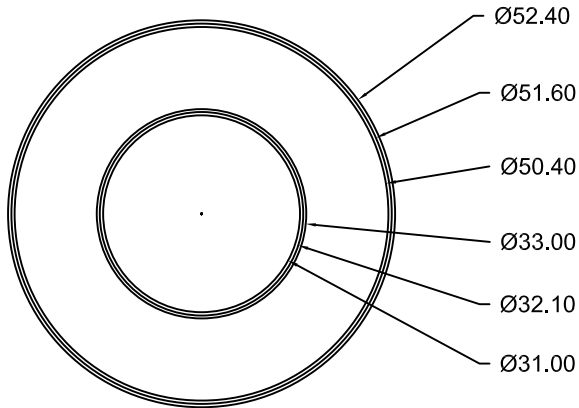
5

6

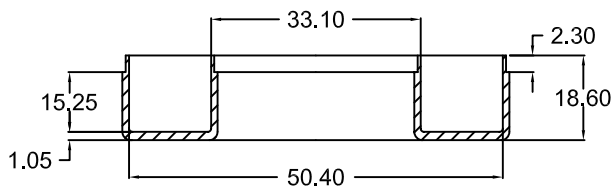
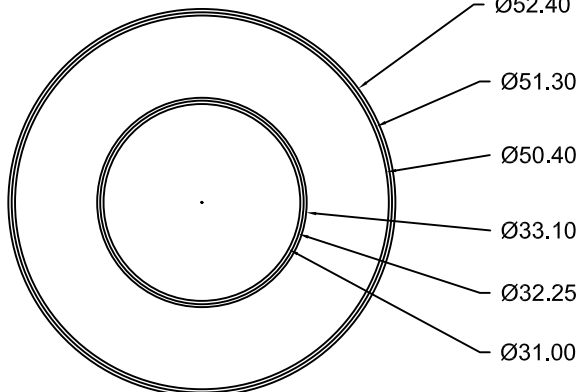
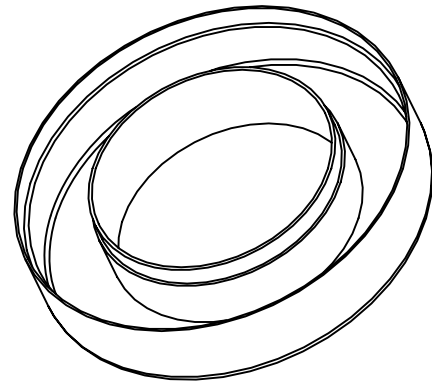
7

8

9



MALE



FEMALE

COMPONENT WEIGHT - 17.2 GMS

NOTE:

(1) All dimensions are in mm.

(2) Tolerance for all dimension is (±0.2)

(3) Molding Material:

(a) Zytel FR 50 BK 153J - UL & RoHS

(b) Zytel 70G33L BK 031 - Non UL

(c) Zytel 70G33L NC 010 - Non UL

(d) Ultramid A3X2G5 - UL & RoHS



DURGA ELECTRONICS(INDIA)

COMPONENT NAME: TORRIED CAP

PART NO: T-50 30

REMARKS:

REV.
00

	NAME	SIGN.	DATE
DESIGN BY	SACHIDANAND		24.09.03
CHECKED BY	MANOJ GUPTA		24.09.03
APPR. BY	MANOJ GUPTA		24.09.03

SCALE: NTS DRG. NO: DEI/DRG/0256

PATH
↓

D:\DURGA\RING CORE INSULATION COVER\T-50 30