

A

B

C

D

REVISIONS

ZONE	REV.	DESCRIPTION	DATE	APPD.

1

2

3

4

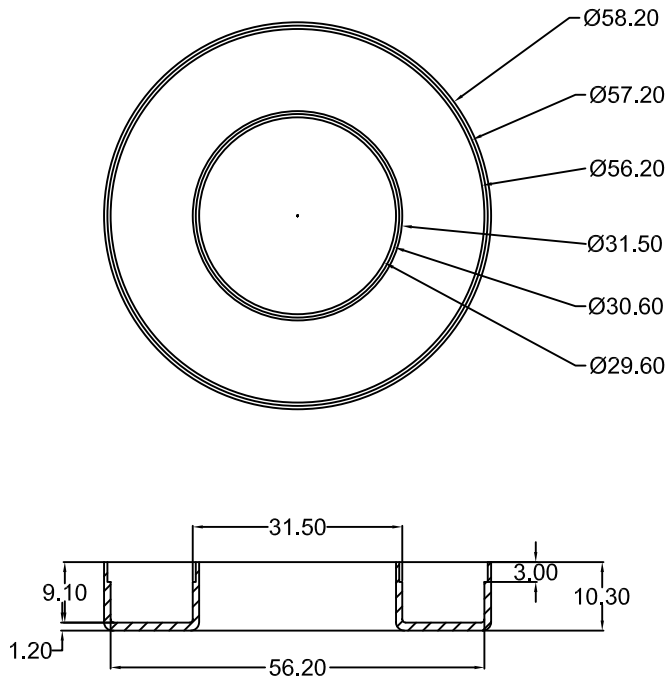
5

6

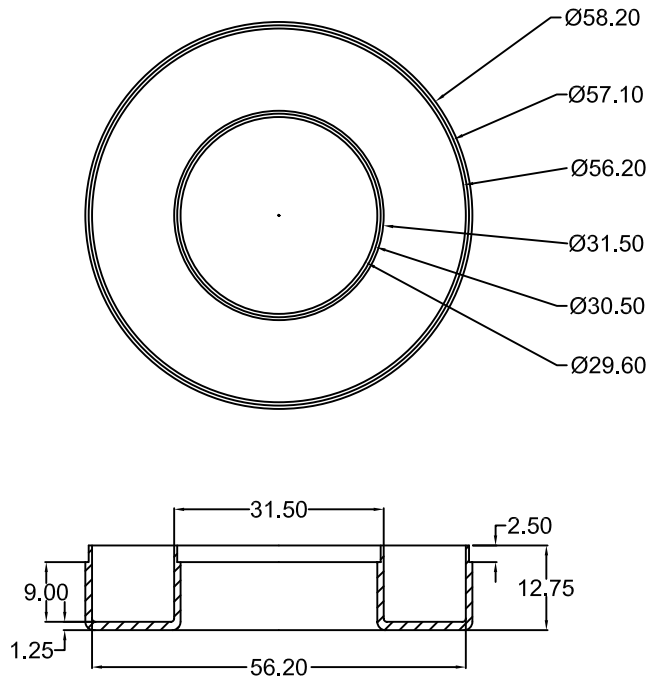
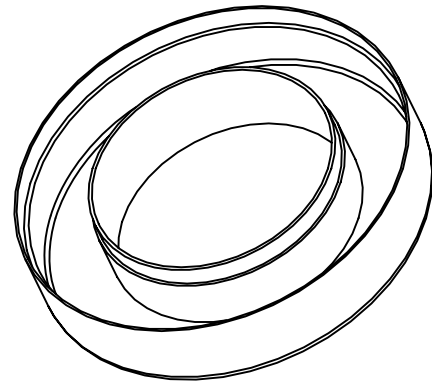
7

8

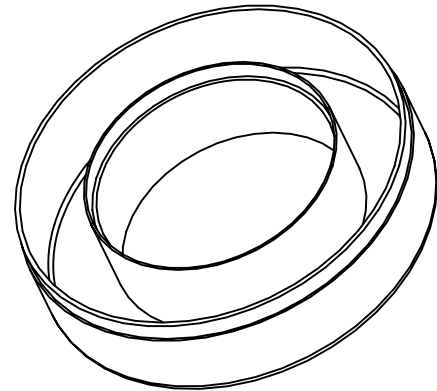
9



MALE



FEMALE



COMPONENT WEIGHT - 12.0 GMS

NOTE:

- (1) All dimensions are in mm.
 (2) Tolerance for all dimension is (± 0.2)
 (3) Molding Material:
 (a) Zytel FR 50 BK 153J - UL & RoHS
 (b) Zytel 70G33L BK 031 - Non UL.
 (c) Zytel 70G33L NC 010 - Non UL
 (d) Ultramid A3X2G5 - UL & RoHS



DURGA ELECTRONICS(INDIA)

COMPONENT NAME: TORRIED CAP

PART NO: T-56 18

REMARKS:

REV.
00

	NAME	SIGN.	DATE
DESIGN BY	SACHIDANAND		15.09.03
CHECKED BY	MANOJ GUPTA		15.09.03
APPR. BY	MANOJ GUPTA		15.09.03

SCALE: NTS DRG. NO: DEI/DRG/0211

PATH
↓

D:\DURGA\RING CORE INSULATION COVER\T-56 18