

A

B

C

D

REVISIONS

ZONE

REV.

DESCRIPTION

DATE

APPD.

1

2

3

4

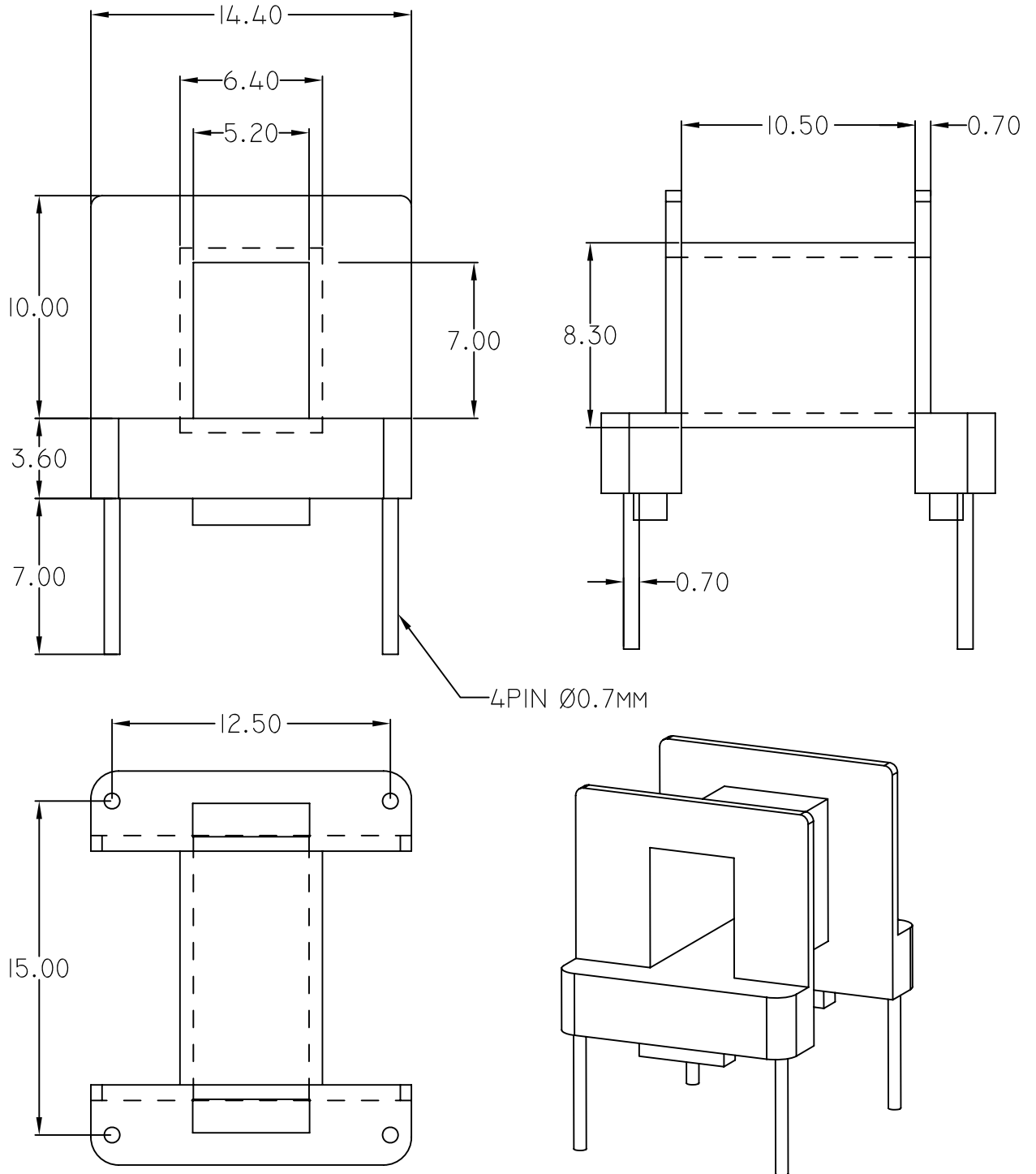
5

6

7

8

9



COMPONENT WEIGHT - 1.0 GMS

NOTE:

(1) All dimensions are in mm.

(2) Tolerance for all dimension is (± 0.2)

(3) Molding Material:

(a) Zytel FR 50 BK 153J - UL & RoHS

(b) Zytel 70G33L BK 031 - Non UL

(c) Zytel 70G33L NG 010 - Non UL

(d) Rynite FR530L BK507 - UL & RoHS

(e) Ultramid A3X2G5 - UL & RoHS

(5) Pin Material: C.C.S Wire with Tin (Sn) Plated



DURGA ELECTRONICS(INDIA)

COMPONENT NAME: BOBBIN

PART NO: UUI511 HOR. 4PIN HOR.CORE

REMARKS:

REV.
00

| | NAME | SIGN. | DATE |
|------------|-------------|-------|----------|
| DESIGN BY | SACHIDANAND | | 17.12.02 |
| CHECKED BY | MANOJ GUPTA | | 17.12.02 |
| APPR. BY | MANOJ GUPTA | | 17.12.02 |

SCALE: NTS DRG. NO: DEI/DRG/0199

PATH
↓

D:\DURGA\UU SERIES\UUI511 HORIZONTAL 4PIN HOR.CORE