

A

B

C

D

REVISIONS

ZONE

REV.

DESCRIPTION

DATE

APPD.

1

2

3

4

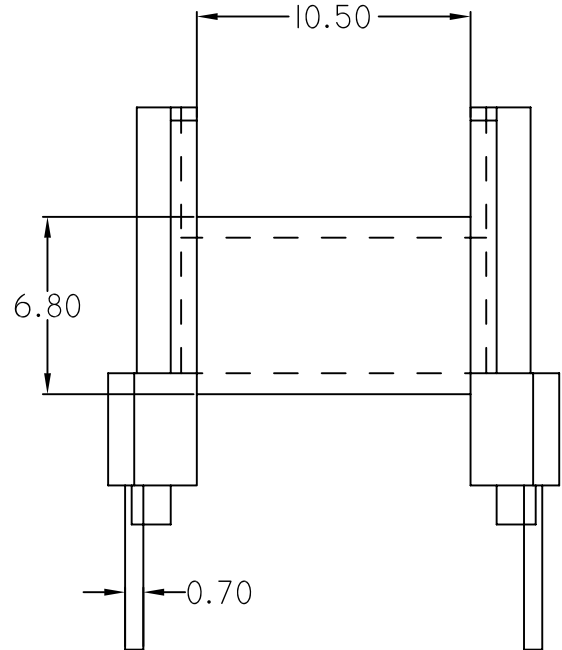
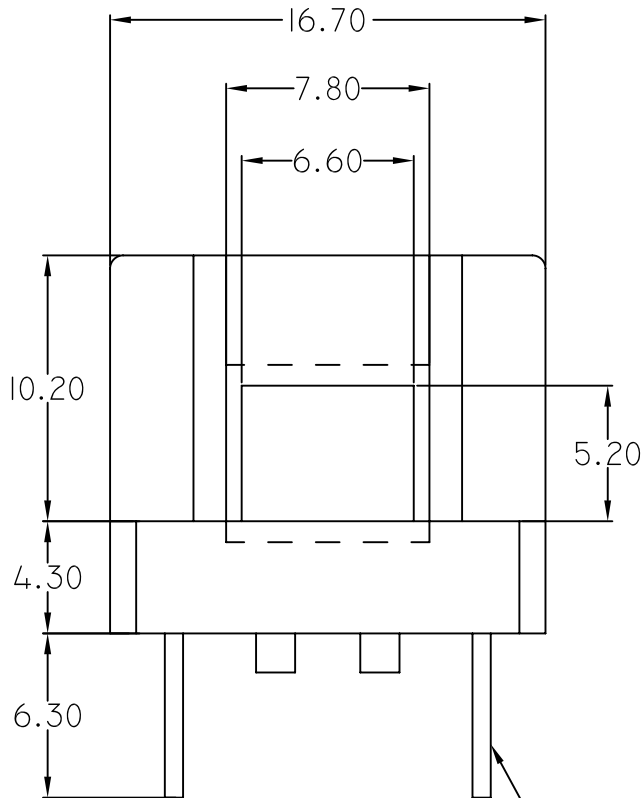
5

6

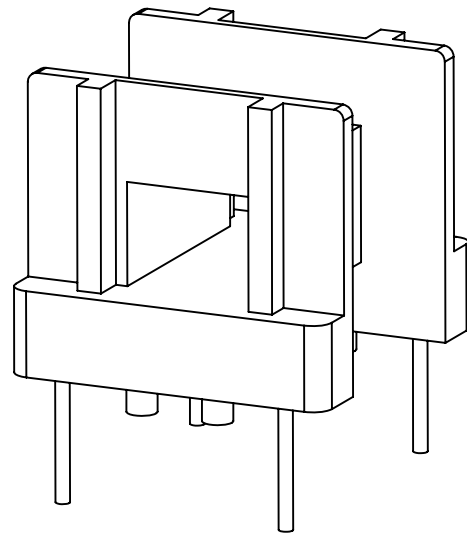
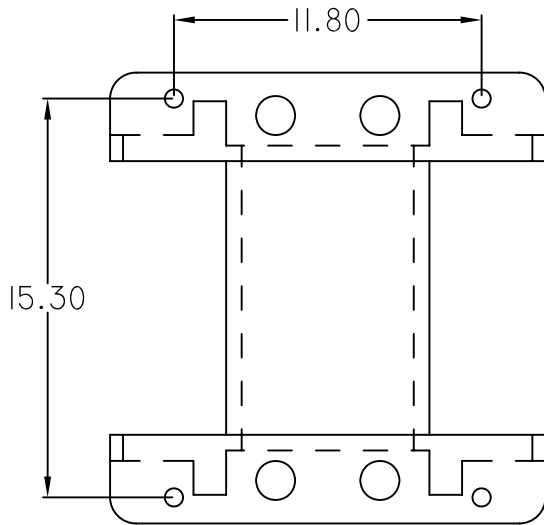
7

8

9



4PIN Ø0.7MM



COMPONENT WEIGHT - 1.5 GMS

NOTE:

(1) All dimensions are in mm.

(2) Tolerance for all dimension is ± 0.2

(3) Molding Material:

(a) Zytel FR 50 BK 153J - UL & RoHS

(b) Zytel 70G33L BK 031 - Non UL

(c) Zytel 70G33L NC 010 - Non UL

(d) Rynite FR530L BK507 - UL & RoHS

(e) Ultramid A3X2G5 - UL & RoHS

(5) Pin Material: C.C.S Wire with Tin (Sn) Plated



DURGA ELECTRONICS(INDIA)

COMPONENT NAME: BOBBIN

PART NO: UUI511 HOR. 4PIN VER.CORE

REMARKS:

REV.
00

	NAME	SIGN.	DATE
DESIGN BY	SACHIDANAND	<i>Sachidanand</i>	17.12.02
CHECKED BY	MANOJ GUPTA		17.12.02
APPR. BY	MANOJ GUPTA		17.12.02

SCALE: NTS DRG. NO: DEI/DRG/0200

PATH
↓

D:\DURGA\UU SERIES\UUI511 HORIZONTAL 4PIN VER.CORE