

A

B

C

D

REVISIONS

ZONE

REV.

DESCRIPTION

DATE

APPD.

1

2

3

4

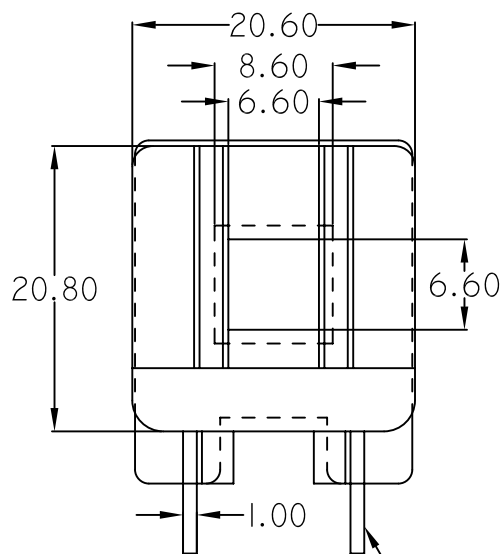
5

6

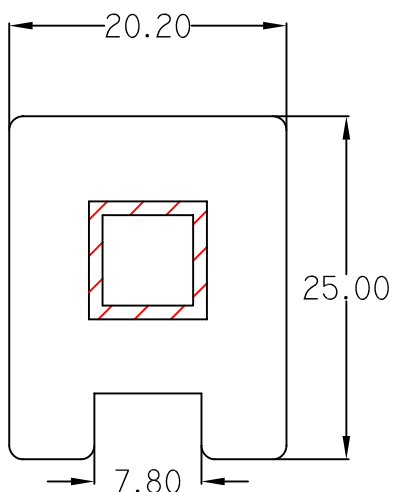
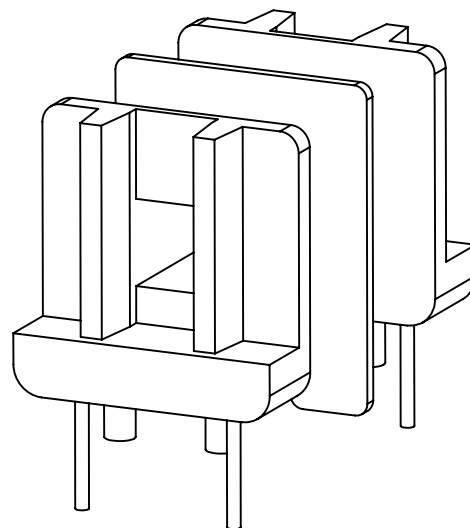
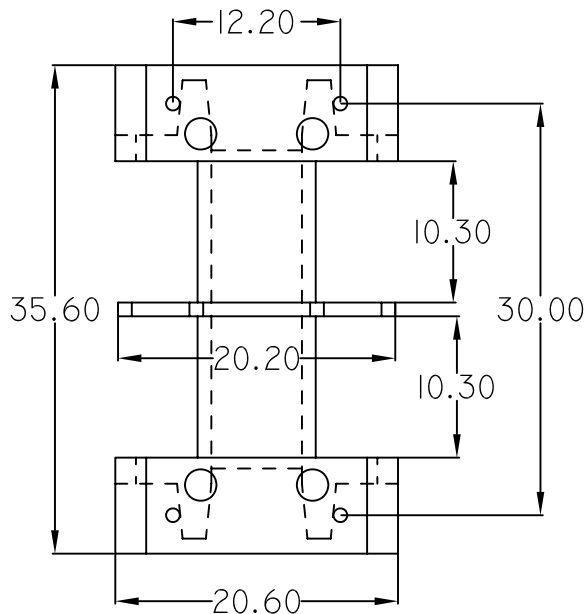
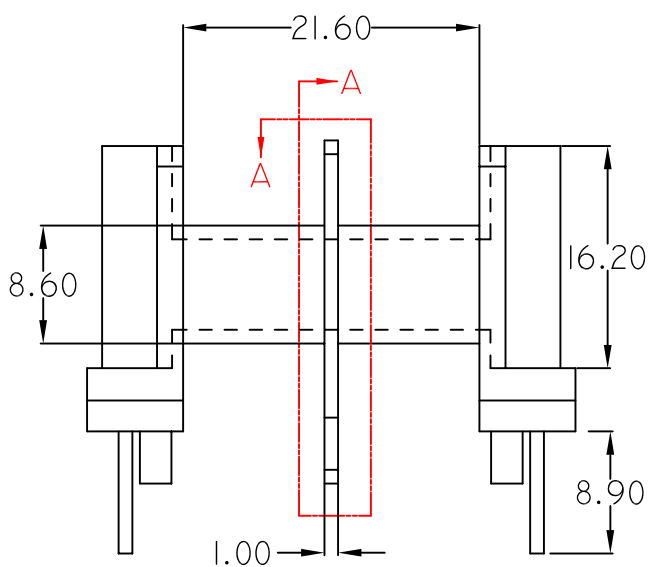
7

8

9



4PIN Ø1.0MM



SECTION A-A

COMPONENT WEIGHT - 5.5 GMS

NOTE:

(1) All dimensions are in mm.

(2) Tolerance for all dimension is ± 0.2

(3) Molding Material:

(a) Zytel FR 50 BK 153J - UL & RoHS

(b) Zytel 70G33L BK 031 - Non UL

(c) Zytel 70G33L NC 010 - Non UL

(d) Rynite FR530L BK607 - UL & RoHS

(e) Ultramid A3X2G5 - UL & RoHS

(5) Pin Material: C.C.S Wire with Tin (Su) Plated



DURGA ELECTRONICS(INDIA)

COMPONENT NAME: BOBBIN

PART NO: UU2036 HOR. 4PIN-2S

REMARKS:

REV.
00

	NAME	SIGN.	DATE
DESIGN BY	SACHIDANAND	<i>Sachidanand</i>	17.12.02
CHECKED BY	MANOJ GUPTA		17.12.02
APPR. BY	MANOJ GUPTA		17.12.02

SCALE: NTS DRG. NO: DEI/DRG/0201

PATH



D:\DURGA\UU SERIES\UU2036 HORIZONTAL 4PIN 2-S