

A

B

C

D

REVISIONS

| ZONE | REV. | DESCRIPTION | DATE | APPD. |
|------|------|-------------|------|-------|
|      |      |             |      |       |

1

2

3

4

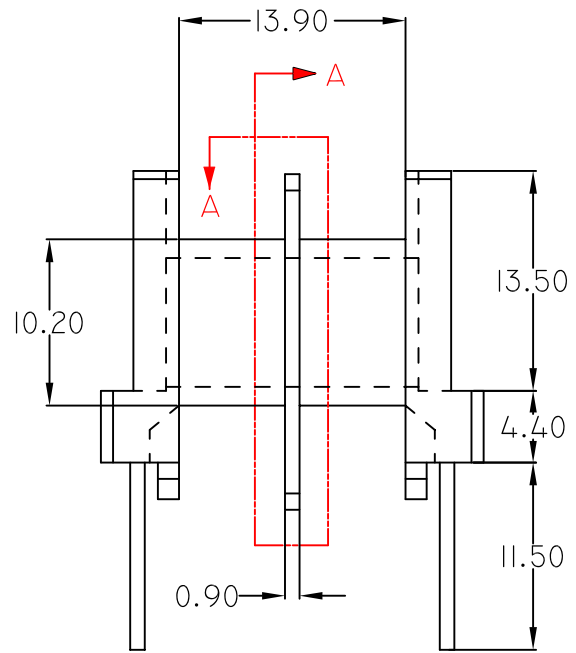
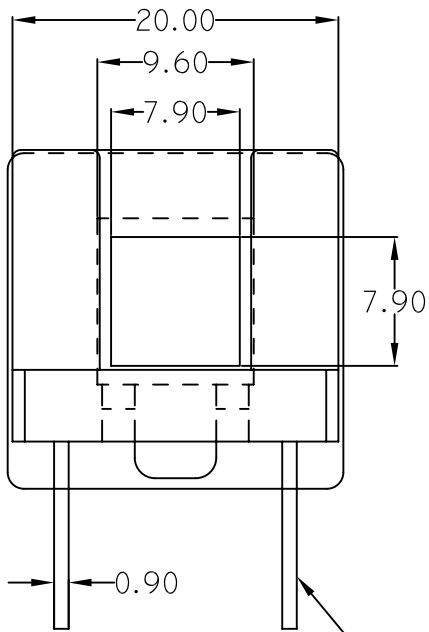
5

6

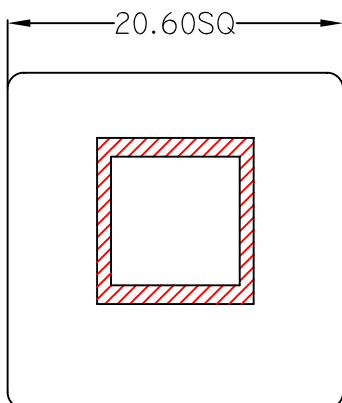
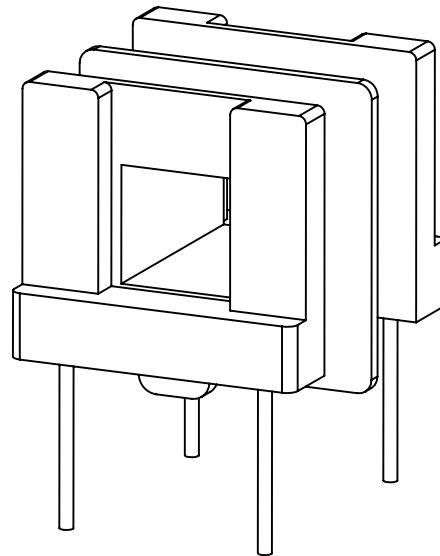
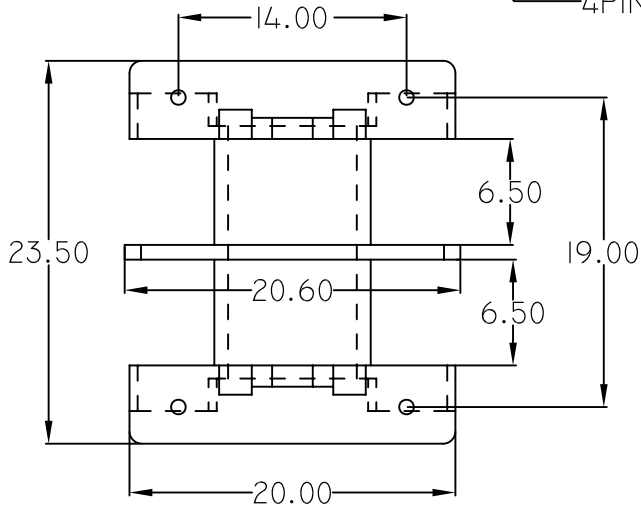
7

8

9



4PIN Ø0.9MM



SECTION A-A

COMPONENT WEIGHT - 3.5 GMS

## NOTE:

- (1) All dimensions are in mm.
- (2) Tolerance for all dimension is  $\pm 0.2$
- (3) Molding Material:
  - (a) Zytel FR 50 BK 153J - UL & RoHS
  - (b) Zytel 70G33L BK 031 - Non UL
  - (c) Zytel 70G33L NC 010 - Non UL
  - (d) Rynite FR530L BK507 - UL & RoHS
  - (e) Ultramid A3X2G5 - UL & RoHS
- (5) Pin Material: C,C.S Wire with Tin (Sn) Plated



DURGA ELECTRONICS(INDIA)

COMPONENT NAME: BOBBIN

PART NO: UU2130 HOR. 4PIN 2-S

REMARKS:

REV.  
00

|            | NAME        | SIGN. | DATE     |
|------------|-------------|-------|----------|
| DESIGN BY  | SACHIDANAND |       | 17.12.02 |
| CHECKED BY | MANOJ GUPTA |       | 17.12.02 |
| APPR. BY   | MANOJ GUPTA |       | 17.12.02 |

SCALE: NTS DRG. NO: DEI/DRG/0202

PATH  
↓

D:\DURGA\UU SERIES\UU2130 HORIZONTAL 4PIN 2-s